

Leak Diverter Instructions

Just follow these simple steps to ensure your Leak Diverter is properly secured & connected

We suggest hanging the unit prior to attaching the hose assembly

SECURE YOUR LEAK DIVERTER:

Step 1: Determine which structure you should hang the Leak Diverter from in the leaking area.

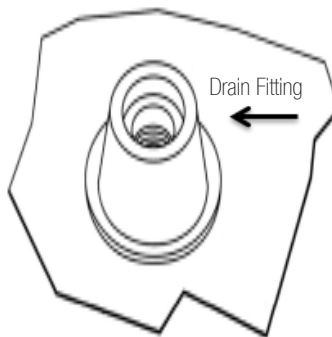
Step 2: Use grommets at the four corners of the Leak Diverter to hang the unit. (*Straps available separately, Item #LDSTRAP*)

Step 3: Make sure the unit is as level as possible to create proper drainage.

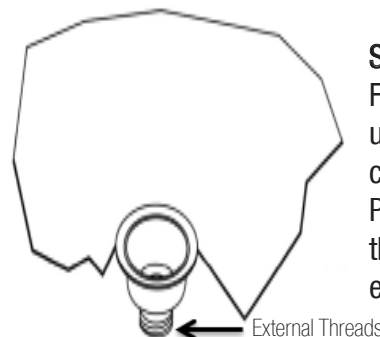
Step 4: See instructions below on how to attach the hose assembly



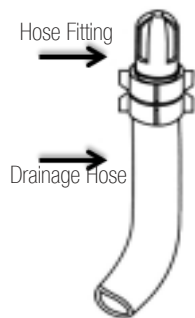
ATTACH THE HOSE ASSEMBLY:



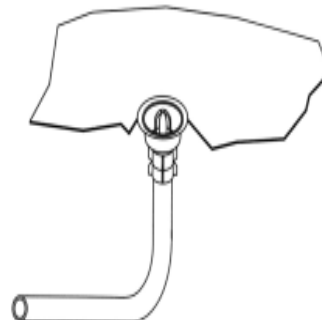
Step 1: Find the clear drain fitting located in the center of the unit.
(It is likely that it will be in an inverted position)



Step 2: From the underside of the unit, insert a finger into the center of the fitting. Pull outward on the inside of the fitting until you see the external threads.



Step 3: Attach a 3/4" drainage hose to the hose fitting
(*drainage hose is available separately, Item# LDHOSE*)



Step 4: Attach the hose assembly (hose fitting + 3/4" drainage hose) to the external threads on the drain fitting