

Shaft Collars

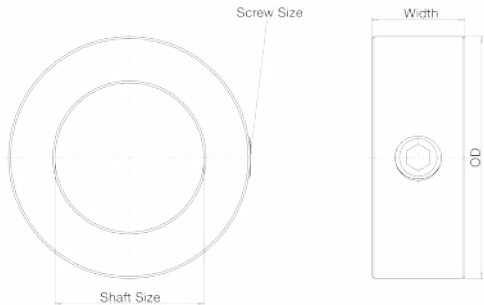
solid, split & stainless steel



IDC SELECT® SHAFT COLLARS

Solid

- Solid set collars are the most cost effective design
- Zinc plated steel

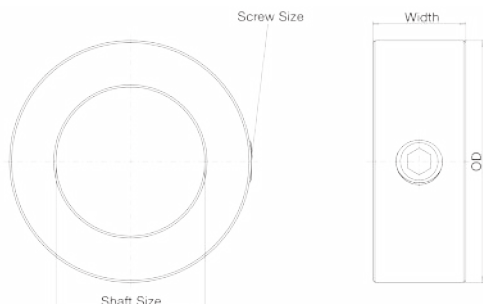


Part No.	Description	Shaft size	OD	Width	Screw Size	Material	Finish	Weight
IDC SC012	1/8in ZINC PLATED COLLAR	1/8	3/8	1/4	6-32 x 1/8	Steel	Zinc	0.01
IDC SC018	3/16in ZINC PLATED COLLAR	3/16	7/16	1/4	8-32 x 1/8	Steel	Zinc	0.01
IDC SC025	1/4in ZINC PLATED COLLAR	1/4	1/2	9/32	10-32 x 1/8	Steel	Zinc	0.01
IDC SC031	5/16in ZINC PLATED COLLAR	5/16	5/8	5/16	10-32 x 1/8	Steel	Zinc	0.02
IDC SC037	3/8in ZINC PLATED COLLAR	3/8	3/4	3/8	1/4-20 x 3/16	Steel	Zinc	0.03
IDC SC043	7/16in ZINC PLATED COLLAR	7/16	7/8	7/16	1/4-20 x 1/4	Steel	Zinc	0.05
IDC SC050	1/2in ZINC PLATED COLLAR	1/2	1	7/16	1/4-20 x 1/4	Steel	Zinc	0.07
IDC SC056	9/16in ZINC PLATED COLLAR	9/16	1	7/16	1/4-20 x 1/4	Steel	Zinc	0.06
IDC SC062	5/8in ZINC PLATED COLLAR	5/8	1 1/8	1/2	5/16-18 x 1/4	Steel	Zinc	0.09
IDC SC068	11/16in ZINC PLATED COLLAR	11/16	1 1/4	9/16	5/16-18 x 1/4	Steel	Zinc	0.13
IDC SC075	3/4in ZINC PLATED COLLAR	3/4	1 1/4	9/16	5/16-18 x 1/4	Steel	Zinc	0.12
IDC SC081	13/16in ZINC PLATED COLLAR	13/16	1 1/2	9/16	5/16-18 x 1/4	Steel	Zinc	0.11
IDC SC087	7/8in ZINC PLATED COLLAR	7/8	1 1/2	9/16	5/16-18 x 5/16	Steel	Zinc	0.18
IDC SC093	15/16in ZINC PLATED COLLAR	15/16	1 5/8	9/16	5/16-18	Steel	Zinc	0.17
IDC SC100	1in ZINC PLATED COLLAR	1	1 5/8	5/8	5/16-18	Steel	Zinc	0.17
IDC SC106	1-1/16in ZINC PLATED COLLAR	1 1/16	1 3/4	5/8	5/16-18 x 5/16	Steel	Zinc	0.26
IDC SC112	1-1/8in ZINC PLATED COLLAR	1 1/8	1 3/4	5/8	5/16-18 x 5/16	Steel	Zinc	0.24
IDC SC118	1-3/16in ZINC PLATED COLLAR	1 3/16	2	11/16	3/8-16 x 3/8	Steel	Zinc	0.38
IDC SC125	1-1/4in ZINC PLATED COLLAR	1 1/4	2	11/16	3/8-16 x 3/8	Steel	Zinc	0.36
IDC SC131	1-5/16in ZINC PLATED COLLAR	1 5/16	2 1/8	11/16	3/8-16 x 3/8	Steel	Zinc	0.41
IDC SC137	1-3/8in ZINC PLATED COLLAR	1 3/8	2 1/8	3/4	3/8-16 x 3/8	Steel	Zinc	0.42
IDC SC143	1-7/16in ZINC PLATED COLLAR	1 7/16	2 1/4	3/4	3/8-16 x 3/8	Steel	Zinc	0.48
IDC SC150	1-1/2in ZINC PLATED COLLAR	1 1/2	2 1/4	13/16	3/8-16 x 3/8	Steel	Zinc	0.45
IDC SC156	1-9/16in ZINC PLATED COLLAR	1 9/16	2 1/2	13/16	3/8-16 x 3/8	Steel	Zinc	0.67
IDC SC162	1-5/8in ZINC PLATED COLLAR	1 5/8	2 1/2	13/16	3/8-16 x 3/8	Steel	Zinc	0.63
IDC SC168	1-11/16in ZINC PLATED COLLAR	1 11/16	2 1/2	13/16	3/8-16 x 3/8	Steel	Zinc	0.59

IDC SELECT® SHAFT COLLARS

Solid

- Solid set collars are the most cost effective design
- Zinc plated steel

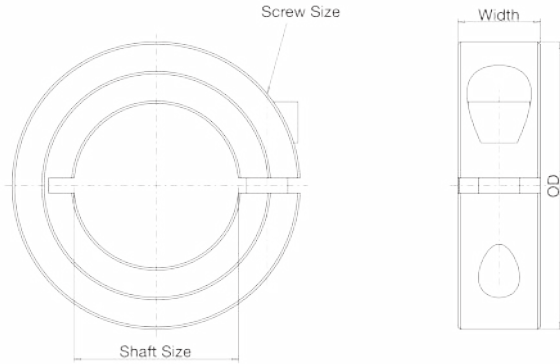


Part No.	Description	Shaft size	OD	Width	Screw Size	Material	Finish	Weight
IDC SC175	1-3/4in ZINC PLATED COLLAR	1 3/4	2 3/4	7/8	1/2-13 x 1/2	Steel	Zinc	0.71
IDC SC181	1-13/16in ZINC PLATED COLLAR	1 13/16	2 3/4	7/8	1/2-13 x 1/2	Steel	Zinc	0.79
IDC SC187	1-7/8in ZINC PLATED COLLAR	1 7/8	2 3/4	7/8	1/2-13 x 1/2	Steel	Zinc	0.76
IDC SC193	1-15/16in ZINC PLATED COLLAR	1 15/16	3	7/8	1/2-13 x 1/2	Steel	Zinc	0.98
IDC SC200	2in ZINC PLATED COLLAR	2	3	7/8	1/2-13 x 1/2	Steel	Zinc	0.93
IDC SC212	2-1/8in ZINC PLATED COLLAR	2 1/8	3	7/8	1/2-13 x 1/2	Steel	Zinc	0.83
IDC SC218	2-3/16in ZINC PLATED COLLAR	2 3/16	3 1/4	15/16	1/2-13 x 1/2	Steel	Zinc	1.16
IDC SC225	2-1/4in ZINC PLATED COLLAR	2 1/4	3 1/4	15/16	1/2-13 x 1/2	Steel	Zinc	1.11
IDC SC231	2-5/16in ZINC PLATED COLLAR	2 5/16	3 1/4	15/16	1/2-13 x 1/2	Steel	Zinc	1.05
IDC SC237	2-3/8in ZINC PLATED COLLAR	2 3/8	3 1/4	15/16	1/2-13 x 1/2	Steel	Zinc	0.99
IDC SC243	2-7/16in ZINC PLATED COLLAR	2 7/16	3 1/2	1	1/2-13 x 1/2	Steel	Zinc	1.36
IDC SC250	2-1/2in ZINC PLATED COLLAR	2 1/2	3 1/2	1	1/2-13 x 1/2	Steel	Zinc	1.30
IDC SC256	2-9/16in ZINC PLATED COLLAR	2 9/16	3 3/4	1	1/2-13 x 1/2	Steel	Zinc	1.62
IDC SC262	2-5/8in ZINC PLATED COLLAR	2 5/8	3 3/4	1 1/8	1/2-13 x 1/2	Steel	Zinc	2.22
IDC SC268	2-11/16in ZINC PLATED COLLAR	2 11/16	4	1 1/8	1/2-13 x 1/2	Steel	Zinc	2.15
IDC SC275	2-3/4in ZINC PLATED COLLAR	2 3/4	4	1 1/8	1/2-13 x 1/2	Steel	Zinc	2.09
IDC SC281	2-13/16in ZINC PLATED COLLAR	2 13/16	4 1/4	1 1/8	1/2-13 x 1/2	Steel	Zinc	1.86
IDC SC287	2-7/8in ZINC PLATED COLLAR	2 7/8	4 1/4	1 1/8	1/2-13 x 1/2	Steel	Zinc	1.86
IDC SC293	2-15/16in ZINC PLATED COLLAR	2 15/16	4 1/4	1 1/8	1/2-13 x 1/2	Steel	Zinc	1.83
IDC SC300	3in ZINC PLATED COLLAR	3	4 1/4	1 1/8	1/2-13 x 1/2	Steel	Zinc	1.73
IDC SC318	3-3/16in ZINC PLATED COLLAR	3 3/16	4 1/4	1 1/8	1/2-13 x 1/2	Steel	Zinc	1.94
IDC SC343	3-7/16in ZINC PLATED COLLAR	3 7/16	4 1/2	1 1/8	1/2-13 x 1/2	Steel	Zinc	2.06
IDC SC350	3-1/2in ZINC PLATED COLLAR	3 1/2	4 3/4	1 1/8	1/2-13 x 1/2	Steel	Zinc	2.54
IDC SC393	3-15/16in ZINC PLATED COLLAR	3 15/16	5	1 1/8	1/2-13 x 1/2	Steel	Zinc	2.35
IDC SC443	4-7/16in ZINC PLATED COLLAR	4 7/16	5 1/2	1 1/8	1/2-13 x 1/2	Steel	Zinc	2.58
IDC SC493	4-15/16in ZINC PLATED COLLAR	4 15/16	6	1 1/4	1/2-13 x 1/2	Steel	Zinc	3.32

IDC SELECT® SHAFT COLLARS

ONE PIECE SPLIT

- Designed to handle greater axial loads than solid collars
- Shaft collar design fully engages the shaft
- Effective on hard and soft shafts
- Black oxide finish

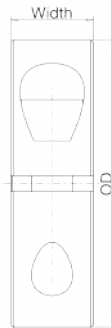
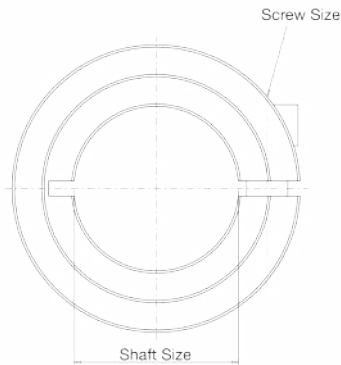


Part No.	Description	Shaft size	OD	Width	Screw Size	Material	Finish	Weight
IDC SC012S	1/8in 1PC SPLIT COLLAR	1/8	1/2	1/4	4-40 x 3/8	Steel	Black Oxide	0.03
IDC SC018S	3/16in 1PC SPLIT COLLAR	3/16	5/8	5/16	4-40 x 3/8	Steel	Black Oxide	0.03
IDC SC025S	1/4in 1PC SPLIT COLLAR	1/4	11/16	5/16	4-40 x 3/8	Steel	Black Oxide	0.03
IDC SC031S	5/16in 1PC SPLIT COLLAR	5/16	11/16	5/16	4-40 x 3/8	Steel	Black Oxide	0.02
IDC SC037S	3/8in 1PC SPLIT COLLAR	3/8	7/8	11/32	6-32 x 3/8	Steel	Black Oxide	0.04
IDC SC043S	7/16in 1PC SPLIT COLLAR	7/16	15/16	3/8	6-32 x 3/8	Steel	Black Oxide	0.05
IDC SC050S	1/2in 1PC SPLIT COLLAR	1/2	1 1/8	13/32	8-32 x 1/2	Steel	Black Oxide	0.08
IDC SC056S	9/16in 1PC SPLIT COLLAR	9/16	1 1/4	7/16	10-32 x 1/2	Steel	Black Oxide	0.13
IDC SC062S	5/8in 1PC SPLIT COLLAR	5/8	1 5/16	7/16	10-32 x 1/2	Steel	Black Oxide	0.11
IDC SC068S	11/16in 1PC SPLIT COLLAR	11/16	1 3/8	7/16	10-32 x 1/2	Steel	Black Oxide	0.18
IDC SC075S	3/4in 1PC SPLIT COLLAR	3/4	1 1/2	1/2	1/4-28 x 5/8	Steel	Black Oxide	0.17
IDC SC081S	13/16in 1PC SPLIT COLLAR	13/16	1 5/8	1/2	1/4-28 x 5/8	Steel	Black Oxide	0.20
IDC SC087S	7/8in 1PC SPLIT COLLAR	7/8	1 5/8	1/2	1/4-28 x 5/8	Steel	Black Oxide	0.19
IDC SC093S	15/16in 1PC SPLIT COLLAR	15/16	1 3/4	1/2	1/4-28 x 5/8	Steel	Black Oxide	0.22
IDC SC100S	1in 1PC SPLIT COLLAR	1	1 3/4	1/2	1/4-28 x 5/8	Steel	Black Oxide	0.21
IDC SC106S	1-1/16in 1PC SPLIT COLLAR	1 1/16	1 7/8	1/2	1/4-28 x 5/8	Steel	Black Oxide	0.24
IDC SC112S	1-1/8in 1PC SPLIT COLLAR	1 1/8	1 7/8	1/2	1/4-28 X 3/4	Steel	Black Oxide	0.23
IDC SC118S	1-3/16in 1PC SPLIT COLLAR	1 3/16	2 1/16	1/2	1/4-28 X 3/4	Steel	Black Oxide	0.29
IDC SC125S	1-1/4in 1PC SPLIT COLLAR	1 1/4	2 1/16	1/2	1/4-28 X 3/4	Steel	Black Oxide	0.28
IDC SC131S	1-5/16in 1PC SPLIT COLLAR	1 5/16	2 1/8	9/16	1/4-28 X 3/4	Steel	Black Oxide	0.39
IDC SC137S	1-3/8in 1PC SPLIT COLLAR	1 3/8	2 1/4	9/16	1/4-28 X 3/4	Steel	Black Oxide	0.37
IDC SC143S	1-7/16in 1PC SPLIT COLLAR	1 7/16	2 1/4	9/16	1/4-28 X 3/4	Steel	Black Oxide	0.34
IDC SC150S	1-1/2in 1PC SPLIT COLLAR	1 1/2	2 3/8	9/16	1/4-28 X 3/4	Steel	Black Oxide	0.39
IDC SC156S	1-9/16in 1PC SPLIT COLLAR	1 9/16	2 3/8	9/16	1/4-28 X 3/4	Steel	Black Oxide	0.37
IDC SC162S	1-5/8in 1PC SPLIT COLLAR	1 5/8	2 5/8	11/16	5/16-24 X 1	Steel	Black Oxide	0.60

IDC SELECT® SHAFT COLLARS

ONE PIECE SPLIT

- Designed to handle greater axial loads than solid collars
- Shaft collar design fully engages the shaft
- Effective on hard and soft shafts
- Black oxide finish

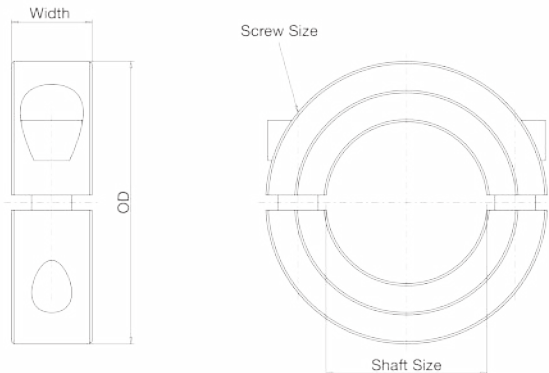


Part No.	Description	Shaft size	OD	Width	Screw Size	Material	Finish	Weight
IDC SC168S	1-11/16in 1PC SPLIT COLLAR	1 11/16	2 3/4	11/16	5/16-24 X 1	Steel	Black Oxide	0.67
IDC SC175S	1-3/4in 1PC SPLIT COLLAR	1 3/4	2 3/4	11/16	5/16-24 X 1	Steel	Black Oxide	0.64
IDC SC181S	1-13/16in 1PC SPLIT COLLAR	1 13/16	2 7/8	11/16	5/16-24 X 1	Steel	Black Oxide	0.64
IDC SC187S	1-7/8in 1PC SPLIT COLLAR	1 7/8	2 7/8	11/16	5/16-24 X 1	Steel	Black Oxide	0.68
IDC SC193S	1-15/16in 1PC SPLIT COLLAR	1 15/16	3	11/16	5/16-24 X 1	Steel	Black Oxide	0.75
IDC SC200S	2in 1PC SPLIT COLLAR	2	3	11/16	5/16-24 X 1	Steel	Black Oxide	0.73
IDC SC212S	2-1/8in 1PC SPLIT COLLAR	2 1/8	3 1/4	3/4	5/16-24 X 1	Steel	Black Oxide	0.94
IDC SC218S	2-3/16in 1PC SPLIT COLLAR	2 3/16	3 1/4	3/4	5/16-24 X 1	Steel	Black Oxide	0.96
IDC SC225S	2-1/4in 1PC SPLIT COLLAR	2 1/4	3 1/4	3/4	5/16-24 X 1	Steel	Black Oxide	0.93
IDC SC231S	2-5/16in 1PC SPLIT COLLAR	2 5/16	3 1/2	3/4	5/16-24 X 1	Steel	Black Oxide	0.85
IDC SC237S	2-3/8in 1PC SPLIT COLLAR	2 3/8	3 1/2	3/4	5/16-24 X 1	Steel	Black Oxide	1.03
IDC SC243S	2-7/16in 1PC SPLIT COLLAR	2 7/16	3 1/2	3/4	5/16-24 X 1	Steel	Black Oxide	1.03
IDC SC250S	2-1/2in 1PC SPLIT COLLAR	2 1/2	3 3/4	7/8	3/8-24 X 1	Steel	Black Oxide	1.44
IDC SC256S	2-9/16in 1PC SPLIT COLLAR	2 9/16	3 7/8	7/8	5/16-24 x 1	Steel	Black Oxide	1.44
IDC SC262S	2-5/8in 1PC SPLIT COLLAR	2 5/8	3 7/8	7/8	3/8-24 X 1	Steel	Black Oxide	1.49
IDC SC268S	2-11/16in 1PC SPLIT COLLAR	2 11/16	4	7/8	3/8-24 X 1	Steel	Black Oxide	1.61
IDC SC275S	2-3/4in 1PC SPLIT COLLAR	2 3/4	4	7/8	3/8-24 X 1	Steel	Black Oxide	1.83
IDC SC281S	2-13/16in 1PC SPLIT COLLAR	2 13/16	4 1/4	7/8	3/8-24 X 1	Steel	Black Oxide	1.83
IDC SC287S	2-7/8in 1PC SPLIT COLLAR	2 7/8	4 1/4	7/8	3/8-24 X 1	Steel	Black Oxide	1.83
IDC SC293S	2-15/16in 1PC SPLIT COLLAR	2 15/16	4 1/4	7/8	3/8-24 X 1	Steel	Black Oxide	1.75
IDC SC300S	3in 1PC SPLIT COLLAR	3	4 1/4	7/8	3/8-24 X 1	Steel	Black Oxide	1.77
IDC SC318S	3-3/16in 1PC SPLIT COLLAR	3 3/16	4 1/2	7/8	3/8-24 x 1	Steel	Black Oxide	1.83
IDC SC343S	3-7/16in 1PC SPLIT COLLAR	3 7/16	4 3/4	7/8	3/8-24 x 1	Steel	Black Oxide	1.83
IDC SC350S	3-1/2in 1PC SPLIT COLLAR	3 1/2	4 3/4	7/8	3/8-24 x 1	Steel	Black Oxide	1.83
IDC SC393S	3-15/16in 1PC SPLIT COLLAR	3 15/16	5 1/4	7/8	3/8-24 x 1	Steel	Black Oxide	1.83

IDC SELECT® SHAFT COLLARS

TWO PIECE SPLIT

- Double split shaft collars handle greater axial loads than set screw collars and single split collars
- Shaft collar design fully engages the shaft
- Effective on hard and soft shafts
- Black oxide finish

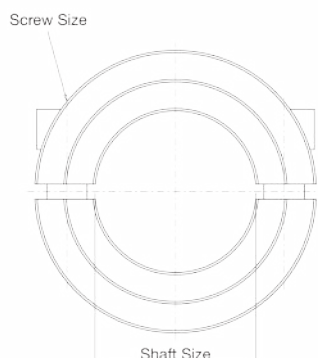
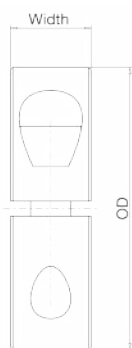


Part No.	Description	Shaft size	OD	Width	Screw Size	Material	Finish	Weight
IDC SC012D	1/8in 2PC SPLIT COLLAR	1/8	1/2	1/4	4-40 x 3/8	Steel	Black Oxide	0.01
IDC SC018D	3/16in 2PC SPLIT COLLAR	3/16	5/8	5/16	4-40 x 3/8	Steel	Black Oxide	0.02
IDC SC025D	1/4in 2PC SPLIT COLLAR	1/4	11/16	5/16	4-40 x 3/8	Steel	Black Oxide	0.02
IDC SC031D	5/16in 2PC SPLIT COLLAR	5/16	11/16	5/16	4-40 x 3/8	Steel	Black Oxide	0.02
IDC SC037D	3/8in 2PC SPLIT COLLAR	3/8	7/8	11/32	6-32 x 3/8	Steel	Black Oxide	0.04
IDC SC043D	7/16in 2PC SPLIT COLLAR	7/16	15/16	3/8	6-32 x 3/8	Steel	Black Oxide	0.05
IDC SC050D	1/2in 2PC SPLIT COLLAR	1/2	1 1/8	13/32	8-32 x 1/2	Steel	Black Oxide	0.08
IDC SC056D	9/16in 2PC SPLIT COLLAR	9/16	1 1/4	7/16	10-32 x 1/2	Steel	Black Oxide	0.13
IDC SC062D	5/8in 2PC SPLIT COLLAR	5/8	1 5/16	7/16	10-32 x 1/2	Steel	Black Oxide	0.11
IDC SC068D	11/16in 2PC SPLIT COLLAR	11/16	1 3/8	7/16	10-32 x 1/2	Steel	Black Oxide	0.18
IDC SC075D	3/4in 2PC SPLIT COLLAR	3/4	1 1/2	1/2	1/4-28 x 5/8	Steel	Black Oxide	0.16
IDC SC081D	13/16in 2PC SPLIT COLLAR	13/16	1 5/8	1/2	1/4-28 x 5/8	Steel	Black Oxide	0.19
IDC SC087D	7/8in 2PC SPLIT COLLAR	7/8	1 5/8	1/2	1/4-28 x 5/8	Steel	Black Oxide	0.18
IDC SC093D	15/16in 2PCS SPLIT COLLAR	15/16	1 3/4	1/2	1/4-28 x 5/8	Steel	Black Oxide	0.19
IDC SC100D	1in 2PC SPLIT COLLAR	1	1 3/4	1/2	1/4-28 x 5/8	Steel	Black Oxide	0.19
IDC SC106D	1-1/16in 2PC SPLIT COLLAR	1 1/16	1 7/8	1/2	1/4-28 x 5/8	Steel	Black Oxide	0.23
IDC SC112D	1-1/8in 2PC SPLIT COLLAR	1 1/8	1 7/8	1/2	1/4-28 x 3/4	Steel	Black Oxide	0.22
IDC SC118D	1-3/16in 2PC SPLIT COLLAR	1 3/16	2 1/16	1/2	1/4-28 x 3/4	Steel	Black Oxide	0.28
IDC SC125D	1-1/4in 2PC SPLIT COLLAR	1 1/4	2 1/16	1/2	1/4-28 x 3/4	Steel	Black Oxide	0.26
IDC SC131D	1-5/16in 2PC SPLIT COLLAR	1 5/16	2 1/8	9/16	1/4-28 x 3/4	Steel	Black Oxide	0.37
IDC SC137D	1-3/8in 2PC SPLIT COLLAR	1 3/8	2 1/4	9/16	1/4-28 x 3/4	Steel	Black Oxide	0.36
IDC SC143D	1-7/16in 2PC SPLIT COLLAR	1 7/16	2 1/4	9/16	1/4-28 x 3/4	Steel	Black Oxide	0.33
IDC SC150D	1-1/2in 2PC SPLIT COLLAR	1 1/2	2 3/8	9/16	1/4-28 x 3/4	Steel	Black Oxide	0.38
IDC SC156D	1-9/16in 2PC SPLIT COLLAR	1 9/16	2 3/8	9/16	1/4-28 x 3/4	Steel	Black Oxide	0.35
IDC SC162D	1-5/8in 2PC SPLIT COLLAR	1 5/8	2 5/8	11/16	5/16-24 x 1	Steel	Black Oxide	0.58

IDC SELECT® SHAFT COLLARS

TWO PIECE SPLIT

- Double split shaft collars handle greater axial loads than set screw collars and single split collars
- Shaft collar design fully engages the shaft
- Effective on hard and soft shafts
- Black oxide finish

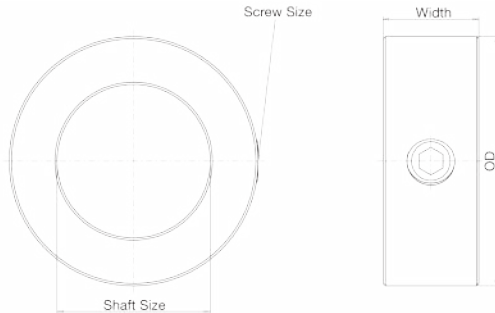


Part No.	Description	Shaft size	OD	Width	Screw Size	Material	Finish	Weight
IDC SC168D	1-11/16in 2PC SPLIT COLLAR	1 11/16	2 3/4	11/16	5/16-24 x 1	Steel	Black Oxide	0.62
IDC SC175D	1-3/4in 2PC SPLIT COLLAR	1 3/4	2 3/4	11/16	5/16-24 x 1	Steel	Black Oxide	0.69
IDC SC181D	1-13/16in 2PC SPLIT COLLAR	1 13/16	2 7/8	11/16	5/16-24 x 1	Steel	Black Oxide	0.69
IDC SC187D	1-7/8in 2PC SPLIT COLLAR	1 7/8	2 7/8	11/16	5/16-24 x 1	Steel	Black Oxide	0.65
IDC SC193D	1-15/16in 2PC SPLIT COLLAR	1 15/16	3	11/16	5/16-24 x 1	Steel	Black Oxide	0.72
IDC SC200D	2in 2PC SPLIT COLLAR	2	3	11/16	5/16-24 x 1	Steel	Black Oxide	0.69
IDC SC212D	2-1/8in 2PC SPLIT COLLAR	2 1/8	3 1/4	3/4	5/16-24 x 1	Steel	Black Oxide	0.94
IDC SC218D	2-3/16in 2PC SPLIT COLLAR	2 3/16	3 1/4	3/4	5/16-24 x 1	Steel	Black Oxide	0.91
IDC SC225D	2-1/4in 2PC SPLIT COLLAR	2 1/4	3 1/4	3/4	5/16-24 x 1	Steel	Black Oxide	0.88
IDC SC231D	2-5/16in 2PC SPLIT COLLAR	2 5/16	3 1/2	3/4	5/16-24 x 1	Steel	Black Oxide	1.08
IDC SC237D	2-3/8in 2PC SPLIT COLLAR	2 3/8	3 1/2	3/4	5/16-24 x 1	Steel	Black Oxide	1.03
IDC SC243D	2-7/16in 2PC SPLIT COLLAR	2 7/16	3 1/2	3/4	5/16-24 x 1	Steel	Black Oxide	0.98
IDC SC250D	2-1/2in 2PC SPLIT COLLAR	2 1/2	3 3/4	7/8	3/8-24 x 1	Steel	Black Oxide	1.39
IDC SC256D	2-9/16in 2PC SPLIT COLLAR	2 9/16	3 7/8	7/8	3/8-24 x 1	Steel	Black Oxide	1.50
IDC SC262D	2-5/8in 2PC SPLIT COLLAR	2 5/8	3 7/8	7/8	3/8-24 x 1	Steel	Black Oxide	1.50
IDC SC268D	2-11/16in 2PC SPLIT COLLAR	2 11/16	4	7/8	3/8-24 x 1	Steel	Black Oxide	1.56
IDC SC275D	2-3/4in 2PC SPLIT COLLAR	2 3/4	4	7/8	3/8-24 x 1	Steel	Black Oxide	1.50
IDC SC281D	2-13/16in 2PC SPLIT COLLAR	2 13/16	4 1/4	7/8	3/8-24 x 1	Steel	Black Oxide	1.81
IDC SC287D	2-7/8in 2PC SPLIT COLLAR	2 7/8	4 1/4	7/8	3/8-24 x 1	Steel	Black Oxide	1.81
IDC SC293D	2-15/16in 2PC SPLIT COLLAR	2 15/16	4 1/4	7/8	3/8-24 x 1	Steel	Black Oxide	1.66
IDC SC300D	3in 2PC SPLIT COLLAR	3	4 1/4	7/8	3/8-24 x 1	Steel	Black Oxide	1.61
IDC SC318D	3-3/16in 2PC SPLIT COLLAR	3 3/16	4 1/2	7/8	3/8-24 x 1	Steel	Black Oxide	1.77
IDC SC343D	3-7/16in 2PC SPLIT COLLAR	3 7/16	4 3/4	7/8	3/8-24 x 1	Steel	Black Oxide	1.94
IDC SC350D	3-1/2in 2PC SPLIT COLLAR	3 1/2	4 3/4	7/8	3/8-24 x 1	Steel	Black Oxide	1.82
IDC SC393D	3-15/16in 2PC SPLIT COLLAR	3 15/16	5 1/4	7/8	3/8-24 x 1	Steel	Black Oxide	2.19

IDC SELECT® SHAFT COLLARS

STAINLESS STEEL

- 304 stainless steel
- Solid set screw collar
- Cost effective design



Part No.	Description	Shaft size	OD	Width	Screw Size	Material	Finish	Weight
IDC SSC012	1/8in STAINLESS COLLAR	1/8	3/8	1/4	6-32 x 1/8	Stainless Steel	Plain	0.01
IDC SSC018	3/16in STAINLESS COLLAR	3/16	7/16	1/4	8-32 x 1/8	Stainless Steel	Plain	0.01
IDC SSC025	1/4in STAINLESS COLLAR	1/4	1/2	9/32	10-32 x 1/8	Stainless Steel	Plain	0.01
IDC SSC031	5/16in STAINLESS COLLAR	5/16	5/8	5/16	10-32 x 1/8	Stainless Steel	Plain	0.02
IDC SSC037	3/8in STAINLESS COLLAR	3/8	3/4	3/8	1/4-20 x 3/16	Stainless Steel	Plain	0.03
IDC SSC043	7/16in STAINLESS COLLAR	7/16	7/8	7/16	1/4-20 x 1/4	Stainless Steel	Plain	0.05
IDC SSC050	1/2in STAINLESS COLLAR	1/2	1	7/16	1/4-20 x 1/4	Stainless Steel	Plain	0.07
IDC SSC056	9/16in STAINLESS COLLAR	9/16	1	7/16	1/4-20 x 1/4	Stainless Steel	Plain	0.06
IDC SSC062	5/8in STAINLESS COLLAR	5/8	1 1/8	1/2	5/16-18 x 1/4	Stainless Steel	Plain	0.09
IDC SSC068	11/16in STAINLESS COLLAR	11/16	1 1/4	9/16	5/16-18 x 1/4	Stainless Steel	Plain	0.13
IDC SSC075	3/4in STAINLESS COLLAR	3/4	1 1/4	9/16	5/16-18 x 1/4	Stainless Steel	Plain	0.12
IDC SSC081	13/16in STAINLESS COLLAR	13/16	1 1/2	9/16	5/16-18 x 1/4	Stainless Steel	Plain	0.11
IDC SSC087	7/8in STAINLESS COLLAR	7/8	1 1/2	9/16	5/16-18 x 5/16	Stainless Steel	Plain	0.18
IDC SSC093	15/16in STAINLESS COLLAR	15/16	1 5/8	9/16	5/16-18	Stainless Steel	Plain	0.17
IDC SSC100	1in STAINLESS COLLAR	1	1 5/8	5/8	5/16-18	Stainless Steel	Plain	0.17
IDC SSC106	1-1/16in STAINLESS COLLAR	1 1/16	1 3/4	5/8	5/16-18 x 5/16	Stainless Steel	Plain	0.26
IDC SSC112	1-1/8in STAINLESS COLLAR	1 1/8	1 3/4	5/8	5/16-18 x 5/16	Stainless Steel	Plain	0.24
IDC SSC118	1-3/16in STAINLESS COLLAR	1 3/16	2	11/16	3/8-16 x 3/8	Stainless Steel	Plain	0.38
IDC SSC125	1-1/4in STAINLESS COLLAR	1 1/4	2	11/16	3/8-16 x 3/8	Stainless Steel	Plain	0.36
IDC SSC131	1-5/16in STAINLESS COLLAR	1 5/16	2 1/8	11/16	3/8-16 x 3/8	Stainless Steel	Plain	0.41
IDC SSC137	1-3/8in STAINLESS COLLAR	1 3/8	2 1/8	3/4	3/8-16 x 3/8	Stainless Steel	Plain	0.42
IDC SSC143	1-7/16in STAINLESS COLLAR	1 7/16	2 1/4	3/4	3/8-16 x 3/8	Stainless Steel	Plain	0.48
IDC SSC150	1-1/2in STAINLESS COLLAR	1 1/2	2 1/4	13/16	3/8-16 x 3/8	Stainless Steel	Plain	0.45
IDC SSC156	1-9/16in STAINLESS COLLAR	1 9/16	2 1/2	13/16	3/8-16 x 3/8	Stainless Steel	Plain	0.67
IDC SSC162	1-5/8in STAINLESS COLLAR	1 5/8	2 1/2	13/16	3/8-16 x 3/8	Stainless Steel	Plain	0.63
IDC SSC168	1-11/16in STAINLESS COLLAR	1 11/16	2 1/2	13/16	3/8-16 x 3/8	Stainless Steel	Plain	0.59
IDC SSC175	1-3/4in STAINLESS COLLAR	1 3/4	2 3/4	7/8	1/2-13 x 1/2	Stainless Steel	Plain	0.71
IDC SSC181	1-13/16in STAINLESS COLLAR	1 13/16	2 3/4	7/8	1/2-13 x 1/2	Stainless Steel	Plain	0.79
IDC SSC187	1-7/8in STAINLESS COLLAR	1 7/8	2 3/4	7/8	1/2-13 x 1/2	Stainless Steel	Plain	0.76
IDC SSC193	1-15/16in STAINLESS COLLAR	1 15/16	3	7/8	1/2-13 x 1/2	Stainless Steel	Plain	0.98
IDC SSC200	2in STAINLESS COLLAR	2	3	7/8	1/2-13 x 1/2	Stainless Steel	Plain	0.93