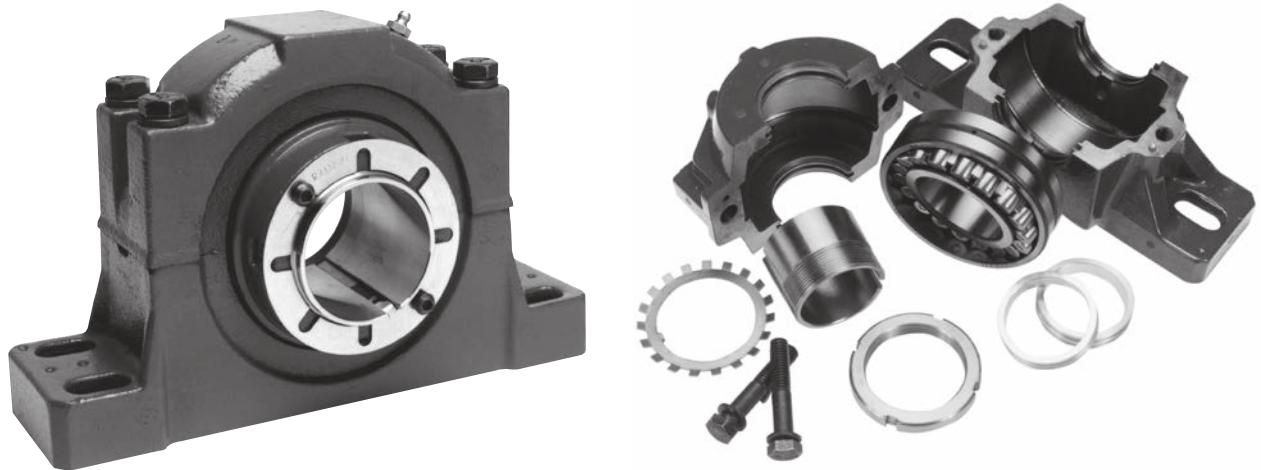


# IMPERIAL ISAF

BEARINGS

## Dodge® Imperial ISAF

High-capacity, double-row, mounted spherical roller bearings are interchangeable with SAF style pillow blocks.



### How Much Is Your Time Worth?

#### ISAF Bearing or SAF Bearing

One package, shaft ready	3 or more packages, user assembled
Bearing matched to shaft	Bearing oversized to accommodate adapter
Simple clearance setting	Requires feeler gauges for clearance setting
100% seal contact and pressure	Seals in the housing, lose effectiveness when misaligned
Greased at the factory	You pack the grease and clean the mess
Grease retained near rollers with seal	Grease migrates out to housing cavity away from rollers
Reduced grease consumption	Large cavity to fill with grease
Factory sealed	Subject to on-site contamination
Easy, intuitive removal method	Difficult removal from shaft

# Dodge® Imperial ISAF

## General Description:

Patented adapter mounting system  
 Easy installation - No feeler gauges needed  
 Easy removal - No special tools needed

## Housing Styles - Shaft Sizes Available:

Two-Bolt Pillow Blocks - 1 7/16" to 1 15/16"  
 Four-Bolt Pillow Blocks - 2 7/16" to 7"  
 Four-Bolt Pillow Blocks 8" to 15" (Hydraulic assist)

## Nomenclature:

P2B	515	ISAF	207	R	E
HOUSING STYLE	HOUSING SIZE	BEARING TYPE	SIZE	SEAL DESIGNATION	OTHER DATA
P2B = Pillow Block 2-Bolt Base, Cast Iron	5xx for interchangeable SAF style housing	ISAF = IMPERIAL SAF	Inches and 16ths 2 = 2" and 07 = 7/16" or 207 = 2 7/16"	R = TRIDENT Triple Lip Rubbing Seal  L = Labyrinth Metallic Seal	E = EXPANSION if E does not appear, bearing is a non- expansion type
P4B = Pillow Block 4-Bolt Base, Cast Iron					

## Patented Adapter Mounting System Features And Benefits

- Quick installation and removal
- Clearance setting without feeler gauges
- Full shaft contact reduces or eliminates fretting corrosion
- Locknut tightens the bearing on the shaft when turned clockwise
- Counterclockwise rotation of the locknut loosens the bearing from the shaft
- Lockplates keep the locknut tight for dependable gripping power
- Normal installation and removal of ISAF can be accomplished much faster than conventional SAF



**BALDOR**  
 A MEMBER OF THE ABB GROUP

P.O. Box 2400, Fort Smith, AR 72902-2400 U.S.A., Ph: (1) 479.646.4711, Fax (1) 479.648.5792, International Fax (1) 479.648.5895

**Baldor - Dodge**  
 6040 Ponders Court, Greenville, SC 29615-4617 U.S.A., Ph: (1) 864.297.4800, Fax: (1) 864.281.2433

[www.baldor.com](http://www.baldor.com)