

# TIGEAR-2<sup>®</sup> ULTRA KLEEN<sup>®</sup> STAINLESS STEEL REDUCERS

BALDOR • DODGE<sup>®</sup>

GEARING

The best choice for a stainless steel reducer with ultimate washdown protection or where "paint free" specification is required. Easy to order, readily available and built to last.

Tired of the "so called" washdown speed reducers not getting the job done? Applications for the food and beverage industry are tough and it takes a rugged, well built reducer to survive in these harsh conditions. With all stainless steel housings, a ventless design, special 2-piece harsh duty output seals, and factory filled H1 food grade synthetic lubrication, Tigear-2 will meet your expectations of what a washdown reducer should be.

You don't like maintenance? No problem with Tigear-2. This is a maintenance free reducer. No oil changes required. Simply install it and forget it.

What about customer support? You're not just buying a reducer. You're buying from a company with more than a 100 year commitment to providing the best technical support and customer service in the industry - before and after the sale.

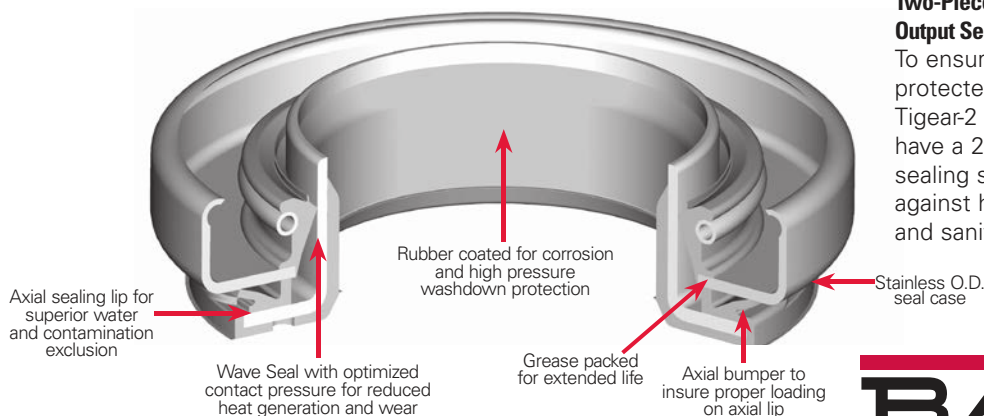
#### Standard features include:

- Premium stainless steel housings
- New rounded housing design prevents accumulation of material or liquid
- Available with quill or 3-piece coupled input
- 300 series Stainless Steel solid and hollow output shafts and stainless hardware
- Two-piece harsh duty output seals (see below)
- Factory filled H1 food grade synthetic lubrication
- Laser etched nameplate standard on all units
- Two tapped motor mounting holes for easy motor removal
- All critical dimensions are the same as standard Tigear-2 reducers
- Dimensionally interchangeable with most competitive brands

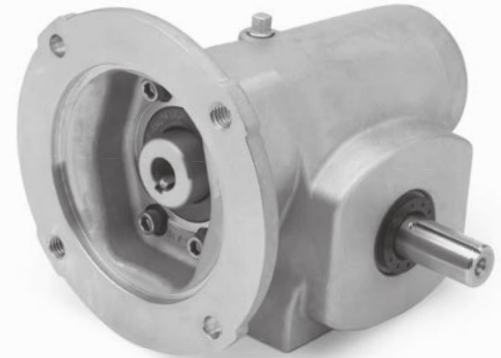
#### Availability:

- Center Distances: 1.75", 2.00", 2.31", 2.62" and 3.00"
- Reducer Ratios: 5, 7.5, 10, 15, 20, 25, 30, 40, 50 and 60
- Same day air shipments available

### Tigear-2<sup>®</sup> Harsh Duty Output Seal



Ultra  
**Kleen**



**IP69K  
for Water**

Protection from  
high pressure,  
high temperature  
washdown.

#### Washdown accessories include:

- Stainless steel bolt-on base kit
- Stainless steel bolt-on output flange kit
- Stainless steel bushing kits (if required).

#### Two-Piece Harsh Duty Output Seal:

To ensure their interior is as protected as their exterior, Tigear-2 stainless reducers have a 2-piece harsh duty sealing system that protects against high-pressure sprays and sanitizing solutions.



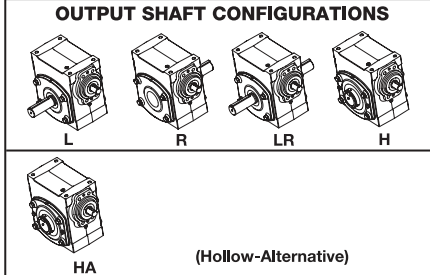
**BALDOR**<sup>®</sup>

A MEMBER OF THE ABB GROUP

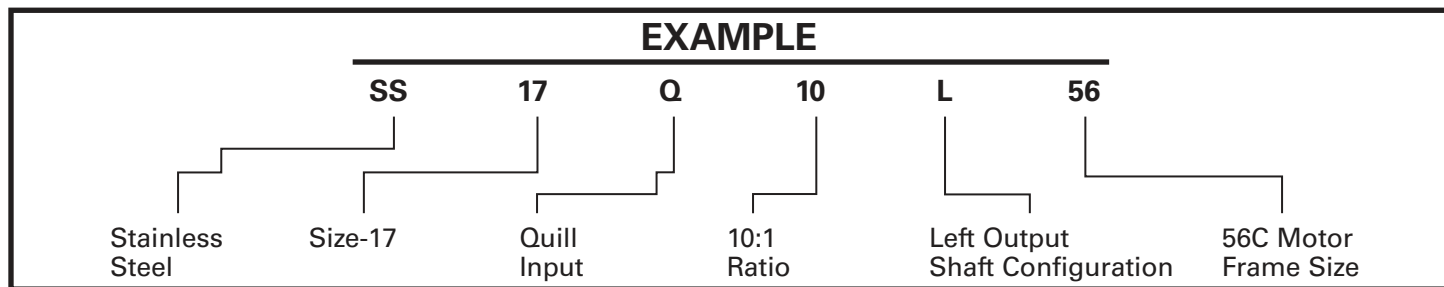
## Tigear-2 Ultra Kleen Stainless Steel Nomenclature

| Stainless Steel | Size  | Input Style   | Ratio  | Output                  | Motor Frame                       |
|-----------------|---|---|--|-------------------------|-----------------------------------|
| SS              | 17= 1.75 c.d.<br>20= 2.00 c.d.<br>23= 2.31 c.d.<br>26= 2.62 c.d.<br>30= 3.00 c.d. | <b>Q</b> Quill<br><b>A</b> Adapter Assy<br>3-Piece<br>Coupled | 05<br>07<br>10<br>15<br>20<br>25<br>30<br>40<br>50<br>60 | L<br>R<br>LR<br>H<br>HA | 56= 56C<br>14= 140TC<br>18= 180TC |

**OUTPUT SHAFT CONFIGURATIONS**



(Hollow-Alternative)



### Tigear-2 Stainless Steel Hollow Reducer Bushing Kits

Select stainless steel reducer model number from part number table. Bushing kits allow hollow output reducers to be mounted to various diameter shafting. Each kit includes bushing and key.

| Reducer Size | Max Bore | Bore Size | Stainless Steel |               |
|--------------|----------|-----------|-----------------|---------------|
|              |          |           | Straight Bore   | GRIP TIGHT*   |
| 17           | 1"       | n/a       | n/a             | n/a           |
| 20           | 1-1/4"   | 1"        | 20SBUSH100      | n/a           |
| 20 Alt       | 1-3/16"  | n/a       | n/a             | n/a           |
| 23           | 1-7/16"  | 1"        | 2326SBUSH100    | n/a           |
|              |          | 1-3/16"   | 2326SBUSH103    | n/a           |
|              |          | 1-1/4"    | 2326SBUSH104    | n/a           |
| 23 Alt       | 1-1/2"   | 1"        | n/a             | 23STBUSH100   |
|              |          | 1-3/16"   | n/a             | 23STBUSH103   |
| 26           | 1-7/16"  | 1"        | 2326SBUSH100    | n/a           |
|              |          | 1-3/16"   | 2326SBUSH103    | n/a           |
|              |          | 1-1/4"    | 2326SBUSH104    | n/a           |
| 26 Alt       | 1-11/16" | 1"        | n/a             | 26STBUSH100   |
|              |          | 1-3/16"   | n/a             | 26STBUSH103   |
|              |          | 1-1/4"    | n/a             | 26STBUSH104   |
|              |          | 1-3/8"    | n/a             | 26STBUSH106   |
| 30           | 1-15/16" | 1-3/8"    | n/a             | 3035STBUSH106 |
|              |          | 1-7/16"   | n/a             | 3035STBUSH107 |
|              |          | 1-1/2"    | n/a             | 3035STBUSH108 |
|              |          | 1-11/16"  | 3035SBUSH111    | n/a           |



\*Required shaft diameter tolerance for Grip Tight bushings: +.000', -.003'

## Size-17 Stainless Steel Tigear-2 Reducers with Quill Input

| RATIO | OUTPUT RPM | RATING DATA<br>1750 INPUT RPM |      | PART NUMBER |             | SHAFT POSITION |
|-------|------------|-------------------------------|------|-------------|-------------|----------------|
|       |            |                               |      | 56C         | 140TC       |                |
| 5     | 350        | Mechanical Input Hp           | 2.59 | SS17Q05L56  | SS17Q05L14  | L              |
|       |            | Thermal Input Hp              | 3.97 | SS17Q05R56  | SS17Q05R14  | R              |
|       |            | Output Torque (lb.in.)        | 430  | SS17Q05LR56 | SS17Q05LR14 | LR             |
|       |            | Mechanical Output Hp          | 2.39 | SS17Q05H56  | SS17Q05H14  | HOLLOW         |
|       |            | Output OHL (lbs.)             | 1050 |             |             |                |
| 7.5   | 233        | Mechanical Input Hp           | 2.06 | SS17Q07L56  | SS17Q07L14  | L              |
|       |            | Thermal Input Hp              | 3.42 | SS17Q07R56  | SS17Q07R14  | R              |
|       |            | Output Torque (lb.in.)        | 500  | SS17Q07LR56 | SS17Q07LR14 | LR             |
|       |            | Mechanical Output Hp          | 1.88 | SS17Q07H56  | SS17Q07H14  | HOLLOW         |
|       |            | Output OHL (lbs.)             | 1190 |             |             |                |
| 10    | 175        | Mechanical Input Hp           | 1.67 | SS17Q10L56  | SS17Q10L14  | L              |
|       |            | Thermal Input Hp              | 2.76 | SS17Q10R56  | SS17Q10R14  | R              |
|       |            | Output Torque (lb.in.)        | 534  | SS17Q10LR56 | SS17Q10LR14 | LR             |
|       |            | Mechanical Output Hp          | 1.48 | SS17Q10H56  | SS17Q10H14  | HOLLOW         |
|       |            | Output OHL (lbs.)             | 1190 |             |             |                |
| 15    | 117        | Mechanical Input Hp           | 1.27 | SS17Q15L56  | SS17Q15L14  | L              |
|       |            | Thermal Input Hp              | 2.01 | SS17Q15R56  | SS17Q15R14  | R              |
|       |            | Output Torque (lb.in.)        | 583  | SS17Q15LR56 | SS17Q15LR14 | LR             |
|       |            | Mechanical Output Hp          | 1.08 | SS17Q15H56  | SS17Q15H14  | HOLLOW         |
|       |            | Output OHL (lbs.)             | 1190 |             |             |                |
| 20    | 88         | Mechanical Input Hp           | 1.03 | SS17Q20L56  | SS17Q20L14  | L              |
|       |            | Thermal Input Hp              | 1.58 | SS17Q20R56  | SS17Q20R14  | R              |
|       |            | Output Torque (lb.in.)        | 602  | SS17Q20LR56 | SS17Q20LR14 | LR             |
|       |            | Mechanical Output Hp          | 0.84 | SS17Q20H56  | SS17Q20H14  | HOLLOW         |
|       |            | Output OHL (lbs.)             | 1190 |             |             |                |
| 25    | 70         | Mechanical Input Hp           | 0.88 | SS17Q25L56  |             | L              |
|       |            | Thermal Input Hp              | 1.28 | SS17Q25R56  |             | R              |
|       |            | Output Torque (lb.in.)        | 609  | SS17Q25LR56 |             | LR             |
|       |            | Mechanical Output Hp          | 0.68 | SS17Q25H56  |             | HOLLOW         |
|       |            | Output OHL (lbs.)             | 1190 |             |             |                |
| 30    | 58         | Mechanical Input Hp           | 0.76 | SS17Q30L56  |             | L              |
|       |            | Thermal Input Hp              | 1.20 | SS17Q30R56  |             | R              |
|       |            | Output Torque (lb.in.)        | 615  | SS17Q30LR56 |             | LR             |
|       |            | Mechanical Output Hp          | 0.57 | SS17Q30H56  |             | HOLLOW         |
|       |            | Output OHL (lbs.)             | 1190 |             |             |                |
| 40    | 44         | Mechanical Input Hp           | 0.60 | SS17Q40L56  |             | L              |
|       |            | Thermal Input Hp              | 1.09 | SS17Q40R56  |             | R              |
|       |            | Output Torque (lb.in.)        | 627  | SS17Q40LR56 |             | LR             |
|       |            | Mechanical Output Hp          | 0.43 | SS17Q40H56  |             | HOLLOW         |
|       |            | Output OHL (lbs.)             | 1190 |             |             |                |
| 50    | 35         | Mechanical Input Hp           | 0.51 | SS17Q50L56  |             | L              |
|       |            | Thermal Input Hp              | 0.90 | SS17Q50R56  |             | R              |
|       |            | Output Torque (lb.in.)        | 608  | SS17Q50LR56 |             | LR             |
|       |            | Mechanical Output Hp          | 0.34 | SS17Q50H56  |             | HOLLOW         |
|       |            | Output OHL (lbs.)             | 1190 |             |             |                |
| 60    | 29         | Mechanical Input Hp           | 0.43 | SS17Q60L56  |             | L              |
|       |            | Thermal Input Hp              | 0.80 | SS17Q60R56  |             | R              |
|       |            | Output Torque (lb.in.)        | 576  | SS17Q60LR56 |             | LR             |
|       |            | Mechanical Output Hp          | 0.27 | SS17Q60H56  |             | HOLLOW         |
|       |            | Output OHL (lbs.)             | 1190 |             |             |                |

**3-PIECE COUPLED INPUT STYLE IS ALSO AVAILABLE FOR TIGEAR-2 STAINLESS STEEL REDUCERS**

For 3-piece coupled input, use same part numbers as above except replace the letter "Q" with the new letter "A".

Example: Part number SS17Q30L56 is a stainless steel size-17 reducer with Quill input, 30:1 ratio, left hand output shaft and a 56C motor adapter.

Part number SS17A30L56 is the same reducer except with 3-piece coupled input style.

Note: Washdown accessories available in Modifications / Accessories section of Dodge gearing catalog.

### Size-20 Stainless Steel Tigear-2 Reducers with Quill Input

| RATIO | OUTPUT RPM | RATING DATA<br>1750 INPUT RPM |      | PART NUMBER |             | SHAFT POSITION |
|-------|------------|-------------------------------|------|-------------|-------------|----------------|
|       |            |                               |      | 56C         | 140TC       |                |
| 5     | 350        | Mechanical Input Hp           | 3.47 | SS20Q05L56  | SS20Q05L14  | L              |
|       |            | Thermal Input Hp              | 4.90 | SS20Q05R56  | SS20Q05R14  | R              |
|       |            | Output Torque (lb.in.)        | 581  | SS20Q05LR56 | SS20Q05LR14 | LR             |
|       |            | Mechanical Output Hp          | 3.23 | SS20Q05H56  | SS20Q05H14  | HOLLOW         |
|       |            | Output OHL (lbs.)             | 1380 | SS20Q05HA56 | SS20Q05HA14 | HOLLOW ALT.    |
| 7.5   | 233        | Mechanical Input Hp           | 2.78 | SS20Q07L56  | SS20Q07L14  | L              |
|       |            | Thermal Input Hp              | 4.15 | SS20Q07R56  | SS20Q07R14  | R              |
|       |            | Output Torque (lb.in.)        | 678  | SS20Q07LR56 | SS20Q07LR14 | LR             |
|       |            | Mechanical Output Hp          | 2.54 | SS20Q07H56  | SS20Q07H14  | HOLLOW         |
|       |            | Output OHL (lbs.)             | 1560 | SS20Q07HA56 | SS20Q07HA14 | HOLLOW ALT.    |
| 10    | 175        | Mechanical Input Hp           | 2.25 | SS20Q10L56  | SS20Q10L14  | L              |
|       |            | Thermal Input Hp              | 3.25 | SS20Q10R56  | SS20Q10R14  | R              |
|       |            | Output Torque (lb.in.)        | 725  | SS20Q10LR56 | SS20Q10LR14 | LR             |
|       |            | Mechanical Output Hp          | 2.01 | SS20Q10H56  | SS20Q10H14  | HOLLOW         |
|       |            | Output OHL (lbs.)             | 1560 | SS20Q10HA56 | SS20Q10HA14 | HOLLOW ALT.    |
| 12.7  | 138        | Mechanical Input Hp           | 1.90 | SS20Q12L56  | SS20Q12L14  | L              |
|       |            | Thermal Input Hp              | 2.83 | SS20Q12R56  | SS20Q12R14  | R              |
|       |            | Output Torque (lb.in.)        | 770  | SS20Q12LR56 | SS20Q12LR14 | LR             |
|       |            | Mechanical Output Hp          | 1.69 | SS20Q12H56  | SS20Q12H14  | HOLLOW         |
|       |            | Output OHL (lbs.)             | 1560 | SS20Q12HA56 | SS20Q12HA14 | HOLLOW ALT.    |
| 15    | 117        | Mechanical Input Hp           | 1.69 | SS20Q15L56  | SS20Q15L14  | L              |
|       |            | Thermal Input Hp              | 2.52 | SS20Q15R56  | SS20Q15R14  | R              |
|       |            | Output Torque (lb.in.)        | 790  | SS20Q15LR56 | SS20Q15LR14 | LR             |
|       |            | Mechanical Output Hp          | 1.46 | SS20Q15H56  | SS20Q15H14  | HOLLOW         |
|       |            | Output OHL (lbs.)             | 1560 | SS20Q15HA56 | SS20Q15HA14 | HOLLOW ALT.    |
| 18    | 97         | Mechanical Input Hp           | 1.46 | SS20Q18L56  | SS20Q18L14  | L              |
|       |            | Thermal Input Hp              | 2.12 | SS20Q18R56  | SS20Q18R14  | R              |
|       |            | Output Torque (lb.in.)        | 795  | SS20Q18LR56 | SS20Q18LR14 | LR             |
|       |            | Mechanical Output Hp          | 1.23 | SS20Q18H56  | SS20Q18H14  | HOLLOW         |
|       |            | Output OHL (lbs.)             | 1560 | SS20Q18HA56 | SS20Q18HA14 | HOLLOW ALT.    |
| 20    | 88         | Mechanical Input Hp           | 1.34 | SS20Q20L56  | SS20Q20L14  | L              |
|       |            | Thermal Input Hp              | 1.99 | SS20Q20R56  | SS20Q20R14  | R              |
|       |            | Output Torque (lb.in.)        | 796  | SS20Q20LR56 | SS20Q20LR14 | LR             |
|       |            | Mechanical Output Hp          | 1.11 | SS20Q20H56  | SS20Q20H14  | HOLLOW         |
|       |            | Output OHL (lbs.)             | 1560 | SS20Q20HA56 | SS20Q20HA14 | HOLLOW ALT.    |
| 25    | 70         | Mechanical Input Hp           | 1.11 | SS20Q25L56  | SS20Q25L14  | L              |
|       |            | Thermal Input Hp              | 1.59 | SS20Q25R56  | SS20Q25R14  | R              |
|       |            | Output Torque (lb.in.)        | 788  | SS20Q25LR56 | SS20Q25LR14 | LR             |
|       |            | Mechanical Output Hp          | 0.88 | SS20Q25H56  | SS20Q25H14  | HOLLOW         |
|       |            | Output OHL (lbs.)             | 1560 | SS20Q25HA56 | SS20Q25HA14 | HOLLOW ALT.    |
| 30    | 58         | Mechanical Input Hp           | 0.96 | SS20Q30L56  |             | L              |
|       |            | Thermal Input Hp              | 1.49 | SS20Q30R56  |             | R              |
|       |            | Output Torque (lb.in.)        | 802  | SS20Q30LR56 |             | LR             |
|       |            | Mechanical Output Hp          | 0.74 | SS20Q30H56  |             | HOLLOW         |
|       |            | Output OHL (lbs.)             | 1560 | SS20Q30HA56 |             | HOLLOW ALT.    |
| 40    | 44         | Mechanical Input Hp           | 0.76 | SS20Q40L56  |             | L              |
|       |            | Thermal Input Hp              | 1.29 | SS20Q40R56  |             | R              |
|       |            | Output Torque (lb.in.)        | 801  | SS20Q40LR56 |             | LR             |
|       |            | Mechanical Output Hp          | 0.56 | SS20Q40H56  |             | HOLLOW         |
|       |            | Output OHL (lbs.)             | 1560 | SS20Q40HA56 |             | HOLLOW ALT.    |
| 50    | 35         | Mechanical Input Hp           | 0.64 | SS20Q50L56  |             | L              |
|       |            | Thermal Input Hp              | 1.09 | SS20Q50R56  |             | R              |
|       |            | Output Torque (lb.in.)        | 787  | SS20Q50LR56 |             | LR             |
|       |            | Mechanical Output Hp          | 0.44 | SS20Q50H56  |             | HOLLOW         |
|       |            | Output OHL (lbs.)             | 1560 | SS20Q50HA56 |             | HOLLOW ALT.    |
| 60    | 29         | Mechanical Input Hp           | 0.56 | SS20Q60L56  |             | L              |
|       |            | Thermal Input Hp              | 0.96 | SS20Q60R56  |             | R              |
|       |            | Output Torque (lb.in.)        | 767  | SS20Q60LR56 |             | LR             |
|       |            | Mechanical Output Hp          | 0.36 | SS20Q60H56  |             | HOLLOW         |
|       |            | Output OHL (lbs.)             | 1560 | SS20Q60HA56 |             | HOLLOW ALT.    |

#### 3-PIECE COUPLED INPUT STYLE IS ALSO AVAILABLE FOR TIGEAR-2 STAINLESS STEEL REDUCERS

For 3-piece coupled input, use same part numbers as above except replace the letter "Q" with the new letter "A".

Example: Part number SS20Q30L56 is a stainless steel size-20 reducer with Quill input, 30:1 ratio, left hand output shaft and a 56C motor adapter.

Part number SS20A30L56 is the same reducer except with 3-piece coupled input style.

Note: Washdown accessories available in Modifications / Accessories section of Dodge gearing catalog.

## Size-23 Stainless Steel Tigear-2 Reducers with Quill Input

| RATIO | OUTPUT RPM | RATING DATA<br>1750 INPUT RPM |      | PART NUMBER |             |             | SHAFT POSITION |
|-------|------------|-------------------------------|------|-------------|-------------|-------------|----------------|
|       |            |                               |      | 56C         | 140TC       | 180TC       |                |
| 5     | 350        | Mechanical Input Hp           | 5.25 | SS23Q05L56  | SS23Q05L14  | SS23Q05L18  | L              |
|       |            | Thermal Input Hp              | 6.61 | SS23Q05R56  | SS23Q05R14  | SS23Q05R18  | R              |
|       |            | Output Torque (lb.in.)        | 881  | SS23Q05LR56 | SS23Q05LR14 | SS23Q05LR18 | LR             |
|       |            | Mechanical Output Hp          | 4.89 | SS23Q05H56  | SS23Q05H14  | SS23Q05H18  | HOLLOW         |
|       |            | Output OHL (lbs.)             | 1330 | SS23Q05HA56 | SS23Q05HA14 | SS23Q05HA18 | HOLLOW ALT.    |
| 7.5   | 233        | Mechanical Input Hp           | 4.18 | SS23Q07L56  | SS23Q07L14  | SS23Q07L18  | L              |
|       |            | Thermal Input Hp              | 5.64 | SS23Q07R56  | SS23Q07R14  | SS23Q07R18  | R              |
|       |            | Output Torque (lb.in.)        | 1026 | SS23Q07LR56 | SS23Q07LR14 | SS23Q07LR18 | LR             |
|       |            | Mechanical Output Hp          | 3.85 | SS23Q07H56  | SS23Q07H14  | SS23Q07H18  | HOLLOW         |
|       |            | Output OHL (lbs.)             | 1520 | SS23Q07HA56 | SS23Q07HA14 | SS23Q07HA18 | HOLLOW ALT.    |
| 10    | 175        | Mechanical Input Hp           | 3.42 | SS23Q10L56  | SS23Q10L14  | SS23Q10L18  | L              |
|       |            | Thermal Input Hp              | 4.40 | SS23Q10R56  | SS23Q10R14  | SS23Q10R18  | R              |
|       |            | Output Torque (lb.in.)        | 1106 | SS23Q10LR56 | SS23Q10LR14 | SS23Q10LR18 | LR             |
|       |            | Mechanical Output Hp          | 3.07 | SS23Q10H56  | SS23Q10H14  | SS23Q10H18  | HOLLOW         |
|       |            | Output OHL (lbs.)             | 1610 | SS23Q10HA56 | SS23Q10HA14 | SS23Q10HA18 | HOLLOW ALT.    |
| 12.7  | 138        | Mechanical Input Hp           | 2.91 | SS23Q12L56  | SS23Q12L14  | SS23Q12L18  | L              |
|       |            | Thermal Input Hp              | 3.78 | SS23Q12R56  | SS23Q12R14  | SS23Q12R18  | R              |
|       |            | Output Torque (lb.in.)        | 1170 | SS23Q12LR56 | SS23Q12LR14 | SS23Q12LR18 | LR             |
|       |            | Mechanical Output Hp          | 2.56 | SS23Q12H56  | SS23Q12H14  | SS23Q12H18  | HOLLOW         |
|       |            | Output OHL (lbs.)             | 1610 | SS23Q12HA56 | SS23Q12HA14 | SS23Q12HA18 | HOLLOW ALT.    |
| 15    | 117        | Mechanical Input Hp           | 2.57 | SS23Q15L56  | SS23Q15L14  |             | L              |
|       |            | Thermal Input Hp              | 3.30 | SS23Q15R56  | SS23Q15R14  |             | R              |
|       |            | Output Torque (lb.in.)        | 1199 | SS23Q15LR56 | SS23Q15LR14 |             | LR             |
|       |            | Mechanical Output Hp          | 2.22 | SS23Q15H56  | SS23Q15H14  |             | HOLLOW         |
|       |            | Output OHL (lbs.)             | 1610 | SS23Q15HA56 | SS23Q15HA14 |             | HOLLOW ALT.    |
| 20    | 88         | Mechanical Input Hp           | 2.00 | SS23Q20L56  | SS23Q20L14  |             | L              |
|       |            | Thermal Input Hp              | 2.62 | SS23Q20R56  | SS23Q20R14  |             | R              |
|       |            | Output Torque (lb.in.)        | 1178 | SS23Q20LR56 | SS23Q20LR14 |             | LR             |
|       |            | Mechanical Output Hp          | 1.64 | SS23Q20H56  | SS23Q20H14  |             | HOLLOW         |
|       |            | Output OHL (lbs.)             | 1610 | SS23Q20HA56 | SS23Q20HA14 |             | HOLLOW ALT.    |
| 25    | 70         | Mechanical Input Hp           | 1.65 | SS23Q25L56  | SS23Q25L14  |             | L              |
|       |            | Thermal Input Hp              | 2.16 | SS23Q25R56  | SS23Q25R14  |             | R              |
|       |            | Output Torque (lb.in.)        | 1184 | SS23Q25LR56 | SS23Q25LR14 |             | LR             |
|       |            | Mechanical Output Hp          | 1.32 | SS23Q25H56  | SS23Q25H14  |             | HOLLOW         |
|       |            | Output OHL (lbs.)             | 1610 | SS23Q25HA56 | SS23Q25HA14 |             | HOLLOW ALT.    |
| 30    | 58         | Mechanical Input Hp           | 1.42 | SS23Q30L56  | SS23Q30L14  |             | L              |
|       |            | Thermal Input Hp              | 2.06 | SS23Q30R56  | SS23Q30R14  |             | R              |
|       |            | Output Torque (lb.in.)        | 1201 | SS23Q30LR56 | SS23Q30LR14 |             | LR             |
|       |            | Mechanical Output Hp          | 1.11 | SS23Q30H56  | SS23Q30H14  |             | HOLLOW         |
|       |            | Output OHL (lbs.)             | 1610 | SS23Q30HA56 | SS23Q30HA14 |             | HOLLOW ALT.    |
| 40    | 44         | Mechanical Input Hp           | 1.11 | SS23Q40L56  | SS23Q40L14  |             | L              |
|       |            | Thermal Input Hp              | 1.73 | SS23Q40R56  | SS23Q40R14  |             | R              |
|       |            | Output Torque (lb.in.)        | 1193 | SS23Q40LR56 | SS23Q40LR14 |             | LR             |
|       |            | Mechanical Output Hp          | 0.83 | SS23Q40H56  | SS23Q40H14  |             | HOLLOW         |
|       |            | Output OHL (lbs.)             | 1610 | SS23Q40HA56 | SS23Q40HA14 |             | HOLLOW ALT.    |
| 50    | 35         | Mechanical Input Hp           | 0.95 | SS23Q50L56  |             |             | L              |
|       |            | Thermal Input Hp              | 1.42 | SS23Q50R56  |             |             | R              |
|       |            | Output Torque (lb.in.)        | 1182 | SS23Q50LR56 |             |             | LR             |
|       |            | Mechanical Output Hp          | 0.66 | SS23Q50H56  |             |             | HOLLOW         |
|       |            | Output OHL (lbs.)             | 1610 | SS23Q50HA56 |             |             | HOLLOW ALT.    |
| 60    | 29         | Mechanical Input Hp           | 0.80 | SS23Q60L56  |             |             | L              |
|       |            | Thermal Input Hp              | 1.24 | SS23Q60R56  |             |             | R              |
|       |            | Output Torque (lb.in.)        | 1111 | SS23Q60LR56 |             |             | LR             |
|       |            | Mechanical Output Hp          | 0.51 | SS23Q60H56  |             |             | HOLLOW         |
|       |            | Output OHL (lbs.)             | 1610 | SS23Q60HA56 |             |             | HOLLOW ALT.    |

**3-PIECE COUPLED INPUT STYLE IS ALSO AVAILABLE FOR TIGEAR-2 STAINLESS STEEL REDUCERS**

For 3-piece coupled input, use same part numbers as above except replace the letter "Q" with the new letter "A".

Example: Part number SS23Q30L56 is a stainless steel size-23 reducer with Quill input, 30:1 ratio, left hand output shaft and a 56C motor adapter.

Part number SS23A30L56 is the same reducer except with 3-piece coupling.

Note: Washdown accessories available in Modifications / Accessories section of Dodge gearing catalog.

The output bore for hollow reducers listed above is 1-7/16". We also offer a 1-1/4" output bore. To order, add "SD104" to the end of the part number.

Example: SS23Q30H56SD104 or SS23A30H56SD104.

### Size-26 Stainless Steel Tigear-2 Reducers with Quill Input

| RATIO | OUTPUT RPM | RATING DATA<br>1750 INPUT RPM |      | PART NUMBER |             |             | SHAFT POSITION |
|-------|------------|-------------------------------|------|-------------|-------------|-------------|----------------|
|       |            |                               |      | 56C         | 140TC       | 180TC       |                |
| 5     | 350        | Mechanical Input Hp           | 7.37 |             | SS26Q05L14  | SS26Q05L18  | L              |
|       |            | Thermal Input Hp              | 8.79 |             | SS26Q05R14  | SS26Q05R18  | R              |
|       |            | Output Torque (lb in.)        | 1247 |             | SS26Q05LR14 | SS26Q05LR18 | LR             |
|       |            | Mechanical Output Hp          | 6.93 |             | SS26Q05H14  | SS26Q05H18  | HOLLOW         |
|       |            | Output OHL (lbs.)             | 1330 |             | SS26Q05HA14 | SS26Q05HA18 | HOLLOW ALT.    |
| 7.5   | 233        | Mechanical Input Hp           | 5.92 | SS26Q07L56  | SS26Q07L14  | SS26Q07L18  | L              |
|       |            | Thermal Input Hp              | 6.89 | SS26Q07R56  | SS26Q07R14  | SS26Q07R18  | R              |
|       |            | Output Torque (lb in.)        | 1458 | SS26Q07LR56 | SS26Q07LR14 | SS26Q07LR18 | LR             |
|       |            | Mechanical Output Hp          | 5.47 | SS26Q07H56  | SS26Q07H14  | SS26Q07H18  | HOLLOW         |
|       |            | Output OHL (lbs.)             | 1520 | SS26Q07HA56 | SS26Q07HA14 | SS26Q07HA18 | HOLLOW ALT.    |
| 10    | 175        | Mechanical Input Hp           | 4.83 | SS26Q10L56  | SS26Q10L14  | SS26Q10L18  | L              |
|       |            | Thermal Input Hp              | 5.61 | SS26Q10R56  | SS26Q10R14  | SS26Q10R18  | R              |
|       |            | Output Torque (lb in.)        | 1576 | SS26Q10LR56 | SS26Q10LR14 | SS26Q10LR18 | LR             |
|       |            | Mechanical Output Hp          | 4.37 | SS26Q10H56  | SS26Q10H14  | SS26Q10H18  | HOLLOW         |
|       |            | Output OHL (lbs.)             | 1610 | SS26Q10HA56 | SS26Q10HA14 | SS26Q10HA18 | HOLLOW ALT.    |
| 12.7  | 138        | Mechanical Input Hp           | 4.08 | SS26Q12L56  | SS26Q12L14  | SS26Q12L18  | L              |
|       |            | Thermal Input Hp              | 4.72 | SS26Q12R56  | SS26Q12R14  | SS26Q12R18  | R              |
|       |            | Output Torque (lb in.)        | 1654 | SS26Q12LR56 | SS26Q12LR14 | SS26Q12LR18 | LR             |
|       |            | Mechanical Output Hp          | 3.63 | SS26Q12H56  | SS26Q12H14  | SS26Q12H18  | HOLLOW         |
|       |            | Output OHL (lbs.)             | 1610 | SS26Q12HA56 | SS26Q12HA14 | SS26Q12HA18 | HOLLOW ALT.    |
| 15    | 117        | Mechanical Input Hp           | 3.62 | SS26Q15L56  | SS26Q15L14  | SS26Q15L18  | L              |
|       |            | Thermal Input Hp              | 4.15 | SS26Q15R56  | SS26Q15R14  | SS26Q15R18  | R              |
|       |            | Output Torque (lb in.)        | 1708 | SS26Q15LR56 | SS26Q15LR14 | SS26Q15LR18 | LR             |
|       |            | Mechanical Output Hp          | 3.16 | SS26Q15H56  | SS26Q15H14  | SS26Q15H18  | HOLLOW         |
|       |            | Output OHL (lbs.)             | 1610 | SS26Q15HA56 | SS26Q15HA14 | SS26Q15HA18 | HOLLOW ALT.    |
| 18    | 97         | Mechanical Input Hp           | 3.05 | SS26Q18L56  | SS26Q18L14  | SS26Q18L18  | L              |
|       |            | Thermal Input Hp              | 3.73 | SS26Q18R56  | SS26Q18R14  | SS26Q18R18  | R              |
|       |            | Output Torque (lb in.)        | 1708 | SS26Q18LR56 | SS26Q18LR14 | SS26Q18LR18 | LR             |
|       |            | Mechanical Output Hp          | 2.63 | SS26Q18H56  | SS26Q18H14  | SS26Q18H18  | HOLLOW         |
|       |            | Output OHL (lbs.)             | 1610 | SS26Q18HA56 | SS26Q18HA14 | SS26Q18HA18 | HOLLOW ALT.    |
| 20    | 88         | Mechanical Input Hp           | 2.71 | SS26Q20L56  | SS26Q20L14  |             | L              |
|       |            | Thermal Input Hp              | 3.71 | SS26Q20R56  | SS26Q20R14  |             | R              |
|       |            | Output Torque (lb in.)        | 1673 | SS26Q20LR56 | SS26Q20LR14 |             | LR             |
|       |            | Mechanical Output Hp          | 2.32 | SS26Q20H56  | SS26Q20H14  |             | HOLLOW         |
|       |            | Output OHL (lbs.)             | 1610 | SS26Q20HA56 | SS26Q20HA14 |             | HOLLOW ALT.    |
| 25    | 70         | Mechanical Input Hp           | 2.26 | SS26Q25L56  | SS26Q25L14  |             | L              |
|       |            | Thermal Input Hp              | 3.00 | SS26Q25R56  | SS26Q25R14  |             | R              |
|       |            | Output Torque (lb in.)        | 1677 | SS26Q25LR56 | SS26Q25LR14 |             | LR             |
|       |            | Mechanical Output Hp          | 1.86 | SS26Q25H56  | SS26Q25H14  |             | HOLLOW         |
|       |            | Output OHL (lbs.)             | 1610 | SS26Q25HA56 | SS26Q25HA14 |             | HOLLOW ALT.    |
| 30    | 58         | Mechanical Input Hp           | 2.00 | SS26Q30L56  | SS26Q30L14  |             | L              |
|       |            | Thermal Input Hp              | 2.79 | SS26Q30R56  | SS26Q30R14  |             | R              |
|       |            | Output Torque (lb in.)        | 1705 | SS26Q30LR56 | SS26Q30LR14 |             | LR             |
|       |            | Mechanical Output Hp          | 1.58 | SS26Q30H56  | SS26Q30H14  |             | HOLLOW         |
|       |            | Output OHL (lbs.)             | 1610 | SS26Q30HA56 | SS26Q30HA14 |             | HOLLOW ALT.    |
| 40    | 44         | Mechanical Input Hp           | 1.55 | SS26Q40L56  | SS26Q40L14  |             | L              |
|       |            | Thermal Input Hp              | 2.14 | SS26Q40R56  | SS26Q40R14  |             | R              |
|       |            | Output Torque (lb in.)        | 1685 | SS26Q40LR56 | SS26Q40LR14 |             | LR             |
|       |            | Mechanical Output Hp          | 1.17 | SS26Q40H56  | SS26Q40H14  |             | HOLLOW         |
|       |            | Output OHL (lbs.)             | 1610 | SS26Q40HA56 | SS26Q40HA14 |             | HOLLOW ALT.    |
| 50    | 35         | Mechanical Input Hp           | 1.32 | SS26Q50L56  | SS26Q50L14  |             | L              |
|       |            | Thermal Input Hp              | 1.76 | SS26Q50R56  | SS26Q50R14  |             | R              |
|       |            | Output Torque (lb in.)        | 1662 | SS26Q50LR56 | SS26Q50LR14 |             | LR             |
|       |            | Mechanical Output Hp          | 0.92 | SS26Q50H56  | SS26Q50H14  |             | HOLLOW         |
|       |            | Output OHL (lbs.)             | 1610 | SS26Q50HA56 | SS26Q50HA14 |             | HOLLOW ALT.    |
| 60    | 29         | Mechanical Input Hp           | 1.08 | SS26Q60L56  | SS26Q60L14  |             | L              |
|       |            | Thermal Input Hp              | 1.57 | SS26Q60R56  | SS26Q60R14  |             | R              |
|       |            | Output Torque (lb in.)        | 1547 | SS26Q60LR56 | SS26Q60LR14 |             | LR             |
|       |            | Mechanical Output Hp          | 0.72 | SS26Q60H56  | SS26Q60H14  |             | HOLLOW         |
|       |            | Output OHL (lbs.)             | 1610 | SS26Q60HA56 | SS26Q60HA14 |             | HOLLOW ALT.    |

#### 3-PIECE COUPLED INPUT STYLE IS ALSO AVAILABLE FOR TIGEAR-2 STAINLESS STEEL REDUCERS

For 3-piece coupled input, use same part numbers as above except replace the letter "Q" with the new letter "A".

Example: Part number SS26Q30L56 is a stainless steel size-26 reducer with Quill input, 30:1 ratio, left hand output shaft and a 56C motor adapter.

Part number SS26A30L56 is the same reducer except with 3-piece coupling.

Note: Washdown accessories available in Modifications / Accessories section of Dodge gearing catalog.

The output bore for hollow reducers listed above is 1-7/16". We also offer a 1-1/4" output bore. To order, add "SD104" to the end of the part number.

Example: SS26Q30H56SD104 or SS26A30H56SD104.

## Size-30 Stainless Steel Tigear-2 Reducers with Quill Input

| RATIO | OUTPUT RPM | RATING DATA<br>1750 INPUT RPM |       | PART NUMBER |             |             | SHAFT POSITION |
|-------|------------|-------------------------------|-------|-------------|-------------|-------------|----------------|
|       |            |                               |       | 56C         | 140TC       | 180TC       |                |
| 5     | 350        | Mechanical Input Hp           | 10.84 |             | SS30Q05L14  | SS30Q05L18  | L              |
|       |            | Thermal Input Hp              | 12.53 |             | SS30Q05R14  | SS30Q05R18  | R              |
|       |            | Output Torque (lb in.)        | 1849  |             | SS30Q05LR14 | SS30Q05LR18 | LR             |
|       |            | Mechanical Output Hp          | 10.27 |             | SS30Q05H14  | SS30Q05H18  | HOLLOW         |
|       |            | Output OHL (lbs.)             | 1330  |             |             |             |                |
| 7.5   | 233        | Mechanical Input Hp           | 8.74  |             | SS30Q07L14  | SS30Q07L18  | L              |
|       |            | Thermal Input Hp              | 9.64  |             | SS30Q07R14  | SS30Q07R18  | R              |
|       |            | Output Torque (lb in.)        | 2171  |             | SS30Q07LR14 | SS30Q07LR18 | LR             |
|       |            | Mechanical Output Hp          | 8.15  |             | SS30Q07H14  | SS30Q07H18  | HOLLOW         |
|       |            | Output OHL (lbs.)             | 1540  |             |             |             |                |
| 10    | 175        | Mechanical Input Hp           | 7.11  |             | SS30Q10L14  | SS30Q10L18  | L              |
|       |            | Thermal Input Hp              | 7.85  |             | SS30Q10R14  | SS30Q10R18  | R              |
|       |            | Output Torque (lb in.)        | 2347  |             | SS30Q10LR14 | SS30Q10LR18 | LR             |
|       |            | Mechanical Output Hp          | 6.52  |             | SS30Q10H14  | SS30Q10H18  | HOLLOW         |
|       |            | Output OHL (lbs.)             | 1720  |             |             |             |                |
| 15    | 117        | Mechanical Input Hp           | 5.00  |             | SS30Q15L14  | SS30Q15L18  | L              |
|       |            | Thermal Input Hp              | 5.72  |             | SS30Q15R14  | SS30Q15R18  | R              |
|       |            | Output Torque (lb in.)        | 2371  |             | SS30Q15LR14 | SS30Q15LR18 | LR             |
|       |            | Mechanical Output Hp          | 4.39  |             | SS30Q15H14  | SS30Q15H18  | HOLLOW         |
|       |            | Output OHL (lbs.)             | 2300  |             |             |             |                |
| 20    | 88         | Mechanical Input Hp           | 3.81  | SS30Q20L56  | SS30Q20L14  | SS30Q20L18  | L              |
|       |            | Thermal Input Hp              | 4.52  | SS30Q20R56  | SS30Q20R14  | SS30Q20R18  | R              |
|       |            | Output Torque (lb in.)        | 2345  | SS30Q20LR56 | SS30Q20LR14 | SS30Q20LR18 | LR             |
|       |            | Mechanical Output Hp          | 3.26  | SS30Q20H56  | SS30Q20H14  | SS30Q20H18  | HOLLOW         |
|       |            | Output OHL (lbs.)             | 2300  |             |             |             |                |
| 25    | 70         | Mechanical Input Hp           | 3.05  | SS30Q25L56  | SS30Q25L14  | SS30Q25L18  | L              |
|       |            | Thermal Input Hp              | 3.90  | SS30Q25R56  | SS30Q25R14  | SS30Q25R18  | R              |
|       |            | Output Torque (lb in.)        | 2284  | SS30Q25LR56 | SS30Q25LR14 | SS30Q25LR18 | LR             |
|       |            | Mechanical Output Hp          | 2.54  | SS30Q25H56  | SS30Q25H14  | SS30Q25H18  | HOLLOW         |
|       |            | Output OHL (lbs.)             | 2300  |             |             |             |                |
| 30    | 58         | Mechanical Input Hp           | 2.75  | SS30Q30L56  | SS30Q30L14  |             | L              |
|       |            | Thermal Input Hp              | 3.58  | SS30Q30R56  | SS30Q30R14  |             | R              |
|       |            | Output Torque (lb in.)        | 2417  | SS30Q30LR56 | SS30Q30LR14 |             | LR             |
|       |            | Mechanical Output Hp          | 2.24  | SS30Q30H56  | SS30Q30H14  |             | HOLLOW         |
|       |            | Output OHL (lbs.)             | 2300  |             |             |             |                |
| 40    | 44         | Mechanical Input Hp           | 2.09  | SS30Q40L56  | SS30Q40L14  |             | L              |
|       |            | Thermal Input Hp              | 2.87  | SS30Q40R56  | SS30Q40R14  |             | R              |
|       |            | Output Torque (lb in.)        | 2324  | SS30Q40LR56 | SS30Q40LR14 |             | LR             |
|       |            | Mechanical Output Hp          | 1.61  | SS30Q40H56  | SS30Q40H14  |             | HOLLOW         |
|       |            | Output OHL (lbs.)             | 2300  |             |             |             |                |
| 50    | 35         | Mechanical Input Hp           | 1.75  | SS30Q50L56  | SS30Q50L14  |             | L              |
|       |            | Thermal Input Hp              | 2.34  | SS30Q50R56  | SS30Q50R14  |             | R              |
|       |            | Output Torque (lb in.)        | 2257  | SS30Q50LR56 | SS30Q50LR14 |             | LR             |
|       |            | Mechanical Output Hp          | 1.25  | SS30Q50H56  | SS30Q50H14  |             | HOLLOW         |
|       |            | Output OHL (lbs.)             | 2300  |             |             |             |                |
| 60    | 29         | Mechanical Input Hp           | 1.50  | SS30Q60L56  | SS30Q60L14  |             | L              |
|       |            | Thermal Input Hp              | 2.01  | SS30Q60R56  | SS30Q60R14  |             | R              |
|       |            | Output Torque (lb in.)        | 2138  | SS30Q60LR56 | SS30Q60LR14 |             | LR             |
|       |            | Mechanical Output Hp          | 0.99  | SS30Q60H56  | SS30Q60H14  |             | HOLLOW         |
|       |            | Output OHL (lbs.)             | 2300  |             |             |             |                |

**3-PIECE COUPLED INPUT STYLE IS ALSO AVAILABLE FOR TIGEAR-2 STAINLESS STEEL REDUCERS**

For 3-piece coupled input, use same part numbers as above except replace the letter "Q" with the new letter "A".

Example: Part number SS30Q15L14 is a stainless steel size-30 reducer with Quill input, 15:1 ratio, left hand output shaft and a 140TC motor adapter.

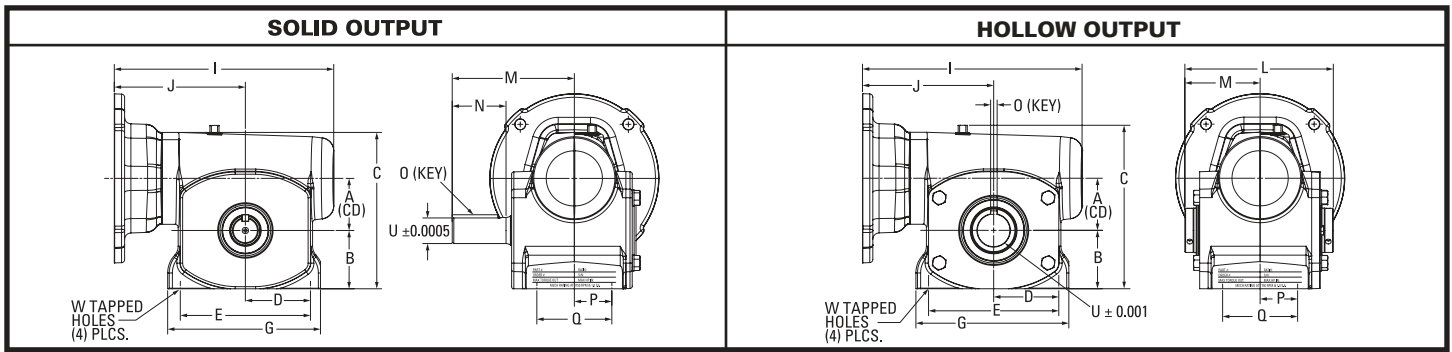
Part number SS30A15L14 is the same reducer except with 3-piece coupled input style.

Note: Washdown accessories available in Modifications / Accessories section of Dodge gearing catalog.

The output bore for hollow reducers listed above is 1-15/16". We also offer a 1-1/4" output bore. To order, add "SD104" to the end of the part number.

Example: SS30Q30H56SD104 or SS30A30H56SD104.

## QUILL



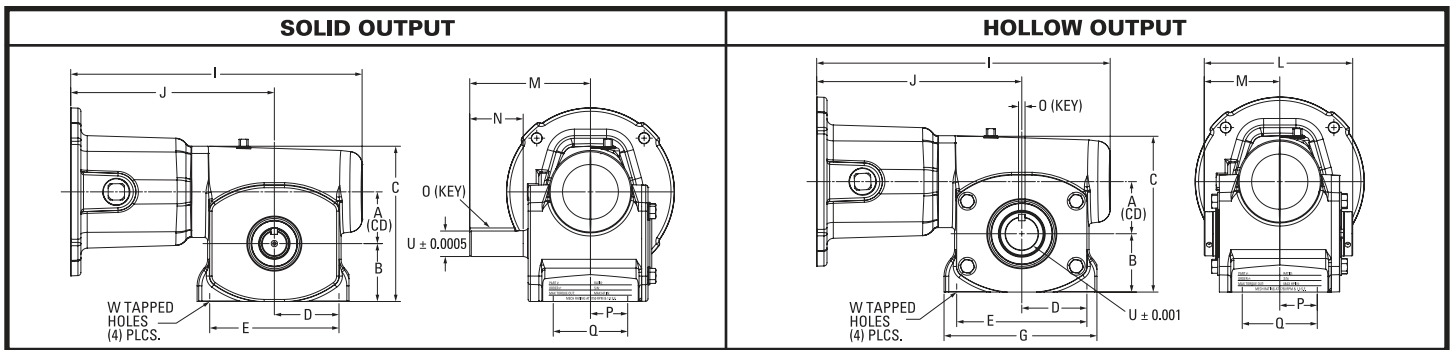
**Quill Input With Solid Output**

| Size | A    | B    | C    | D    | E    | G    | I         |       | J         |       | M    | N    | O                   | P    | Q    | U     | W         |          |
|------|------|------|------|------|------|------|-----------|-------|-----------|-------|------|------|---------------------|------|------|-------|-----------|----------|
|      |      |      |      |      |      |      | 56C/140TC | 180TC | 56C/140TC | 180TC |      |      |                     |      |      |       | +/-0.0005 | Tap Size |
| 17   | 1.75 | 1.99 | 5.85 | 2.09 | 4.19 | 5.50 | 8.09      | N/A   | 4.92      | N/A   | 4.31 | 1.74 | 3/16 SQ. x 1.50 KEY | 1.38 | 2.75 | 0.874 | 5/16-18   | 0.75     |
| 20   | 2.00 | 2.24 | 6.35 | 2.50 | 5.00 | 6.12 | 8.47      | N/A   | 5.02      | N/A   | 4.69 | 2.11 | 1/4 SQ. x 1.75 KEY  | 1.44 | 2.88 | 0.999 | 3/8-16    | 0.75     |
| 23   | 2.31 | 2.50 | 7.38 | 2.50 | 5.00 | 6.76 | 9.12      | 9.94  | 5.47      | 6.29  | 5.14 | 2.18 | 1/4 SQ. x 1.98 KEY  | 1.44 | 2.88 | 1.124 | 3/8-16    | 0.69     |
| 26   | 2.63 | 2.87 | 8.36 | 3.19 | 6.38 | 7.26 | 9.37      | 10.18 | 5.51      | 6.32  | 5.63 | 2.67 | 1/4 SQ. x 2.35 KEY  | 1.69 | 3.38 | 1.124 | 3/8-16    | 0.69     |
| 30   | 3.00 | 3.25 | 8.88 | 3.50 | 7.00 | 8.24 | 10.58     | 11.39 | 6.12      | 6.93  | 6.75 | 3.20 | 5/16 SQ. x 3.00 KEY | 2.00 | 4.00 | 1.374 | 7/16-14   | 0.88     |

**Quill Input With Hollow Output**

| Size    | A    | B    | C    | D    | E    | G    | I         |       | J         |       | L    | M    | O                     | P    | Q    | U     | W        |          |
|---------|------|------|------|------|------|------|-----------|-------|-----------|-------|------|------|-----------------------|------|------|-------|----------|----------|
|         |      |      |      |      |      |      | 56C/140TC | 180TC | 56C/140TC | 180TC |      |      |                       |      |      |       | +/-0.001 | Tap Size |
| 17      | 1.75 | 1.99 | 5.85 | 2.09 | 4.19 | 5.50 | 8.09      | N/A   | 4.92      | N/A   | 5.41 | 2.71 | 1/4 x 0.22 x 1.50 KEY | 1.38 | 2.75 | 1.001 | 5/16-18  | 0.75     |
| 20      | 2.00 | 2.24 | 6.35 | 2.50 | 5.00 | 6.12 | 8.47      | N/A   | 5.02      | N/A   | 5.70 | 2.85 | 1/4 x 1/4 x 1.75 KEY  | 1.44 | 2.88 | 1.251 | 3/8-16   | 0.75     |
| 20 ALT. | 2.00 | 2.24 | 6.35 | 2.50 | 5.00 | 6.12 | 8.47      | N/A   | 5.02      | N/A   | 5.70 | 2.85 | 1/4 x 1/4 x 1.75 KEY  | 1.44 | 2.88 | 1.189 | 3/8-16   | 0.75     |
| 23      | 2.31 | 2.50 | 7.38 | 2.50 | 5.00 | 6.76 | 9.12      | 9.94  | 5.47      | 6.29  | 6.62 | 3.31 | 3/8 x 0.31 x 2.20 KEY | 1.44 | 2.88 | 1.439 | 3/8-16   | 0.69     |
| 23 ALT. | 2.31 | 2.50 | 7.38 | 2.50 | 5.00 | 6.76 | 9.12      | 9.94  | 5.47      | 6.29  | 6.62 | 3.31 | 3/8 x 0.28 x 2.20 KEY | 1.44 | 2.88 | 1.501 | 3/8-16   | 0.69     |
| 26      | 2.63 | 2.87 | 8.36 | 3.19 | 6.38 | 7.26 | 9.37      | 10.18 | 5.51      | 6.32  | 6.62 | 3.31 | 3/8 x 0.31 x 2.20 KEY | 1.69 | 3.38 | 1.439 | 3/8-16   | 0.69     |
| 26 ALT. | 2.63 | 2.87 | 8.36 | 3.19 | 6.38 | 7.26 | 9.37      | 10.18 | 5.51      | 6.32  | 6.62 | 3.31 | 3/8 x 0.28 x 2.20 KEY | 1.69 | 3.38 | 1.689 | 3/8-16   | 0.69     |
| 30      | 3.00 | 3.25 | 8.88 | 3.50 | 7.00 | 8.24 | 10.58     | 11.39 | 6.12      | 6.93  | 7.76 | 3.88 | 1/2 x 0.44 x 3.00 KEY | 2.00 | 4.00 | 1.939 | 7/16-14  | 0.88     |

## 3-PIECE COUPLED



**3-Piece Coupled Input With Solid Output**

| Size | A    | B    | C    | D    | E    | G    | I         |       | J         |       | M    | N    | O                   | P    | Q    | U     | W         |          |
|------|------|------|------|------|------|------|-----------|-------|-----------|-------|------|------|---------------------|------|------|-------|-----------|----------|
|      |      |      |      |      |      |      | 56C/140TC | 180TC | 56C/140TC | 180TC |      |      |                     |      |      |       | +/-0.0005 | Tap Size |
| 17   | 1.75 | 1.99 | 5.85 | 2.09 | 4.19 | 5.50 | 10.92     | N/A   | 7.75      | N/A   | 4.31 | 1.74 | 3/16 SQ. x 1.50 KEY | 1.38 | 2.75 | 0.874 | 5/16-18   | 0.75     |
| 20   | 2.00 | 2.24 | 6.35 | 2.50 | 5.00 | 6.12 | 11.30     | N/A   | 7.85      | N/A   | 4.69 | 2.11 | 1/4 SQ. x 1.75 KEY  | 1.44 | 2.88 | 0.999 | 3/8-16    | 0.75     |
| 23   | 2.31 | 2.50 | 7.38 | 2.50 | 5.00 | 6.76 | 12.25     | 12.98 | 8.60      | 9.33  | 5.14 | 2.18 | 1/4 SQ. x 1.98 KEY  | 1.44 | 2.88 | 1.124 | 3/8-16    | 0.69     |
| 26   | 2.63 | 2.87 | 8.36 | 3.19 | 6.38 | 7.26 | 12.49     | 13.22 | 8.63      | 9.36  | 5.63 | 2.67 | 1/4 SQ. x 2.35 KEY  | 1.69 | 3.38 | 1.124 | 3/8-16    | 0.69     |
| 30   | 3.00 | 3.25 | 8.88 | 3.50 | 7.00 | 8.24 | 13.70     | 14.43 | 9.24      | 9.97  | 6.75 | 3.20 | 5/16 SQ. x 3.00 KEY | 2.00 | 4.00 | 1.374 | 7/16-14   | 0.88     |

**3-Piece Coupled Input With Hollow Output**

| Size    | A    | B    | C    | D    | E    | G    | I         |       | J         |       | L    | M    | O                     | P    | Q    | U     | W        |          |
|---------|------|------|------|------|------|------|-----------|-------|-----------|-------|------|------|-----------------------|------|------|-------|----------|----------|
|         |      |      |      |      |      |      | 56C/140TC | 180TC | 56C/140TC | 180TC |      |      |                       |      |      |       | +/-0.001 | Tap Size |
| 17      | 1.75 | 1.99 | 5.85 | 2.09 | 4.19 | 5.50 | 10.92     | N/A   | 7.75      | N/A   | 5.41 | 2.71 | 1/4 x 0.22 x 1.50 KEY | 1.38 | 2.75 | 1.001 | 5/16-18  | 0.75     |
| 20      | 2.00 | 2.24 | 6.35 | 2.50 | 5.00 | 6.12 | 11.30     | N/A   | 7.85      | N/A   | 5.70 | 2.85 | 1/4 x 1/4 x 1.75 KEY  | 1.44 | 2.88 | 1.251 | 3/8-16   | 0.75     |
| 20 ALT. | 2.00 | 2.24 | 6.35 | 2.50 | 5.00 | 6.12 | 11.30     | N/A   | 7.85      | N/A   | 5.70 | 2.85 | 1/4 x 1/4 x 1.75 KEY  | 1.44 | 2.88 | 1.189 | 3/8-16   | 0.75     |
| 23      | 2.31 | 2.50 | 7.38 | 2.50 | 5.00 | 6.76 | 12.25     | 12.98 | 8.60      | 9.33  | 6.62 | 3.31 | 3/8 x 0.31 x 2.20 KEY | 1.44 | 2.88 | 1.439 | 3/8-16   | 0.69     |
| 23 ALT. | 2.31 | 2.50 | 7.38 | 2.50 | 5.00 | 6.76 | 12.25     | 12.98 | 8.60      | 9.33  | 6.62 | 3.31 | 3/8 x 0.28 x 2.20 KEY | 1.44 | 2.88 | 1.501 | 3/8-16   | 0.69     |
| 26      | 2.63 | 2.87 | 8.36 | 3.19 | 6.38 | 7.26 | 12.49     | 13.22 | 8.63      | 9.36  | 6.62 | 3.31 | 3/8 x 0.31 x 2.20 KEY | 1.69 | 3.38 | 1.439 | 3/8-16   | 0.69     |
| 26 ALT. | 2.63 | 2.87 | 8.36 | 3.19 | 6.38 | 7.26 | 12.49     | 13.22 | 8.63      | 9.36  | 6.62 | 3.31 | 3/8 x 0.28 x 2.20 KEY | 1.69 | 3.38 | 1.689 | 3/8-16   | 0.69     |
| 30      | 3.00 | 3.25 | 8.88 | 3.50 | 7.00 | 8.24 | 13.70     | 14.43 | 9.24      | 9.97  | 7.76 | 3.88 | 1/2 x 0.44 x 3.00 KEY | 2.00 | 4.00 | 1.939 | 7/16-14  | 0.88     |



Baldor Electric Company • P.O. Box 2400 • Fort Smith, AR 72902-2400 U.S.A. • Ph: (1) 479.646.4711

Baldor - Dodge

6040 Ponders Court • Greenville, SC 29615-4617 U.S.A. • Ph: (1) 864.297.4800

www.baldor.com