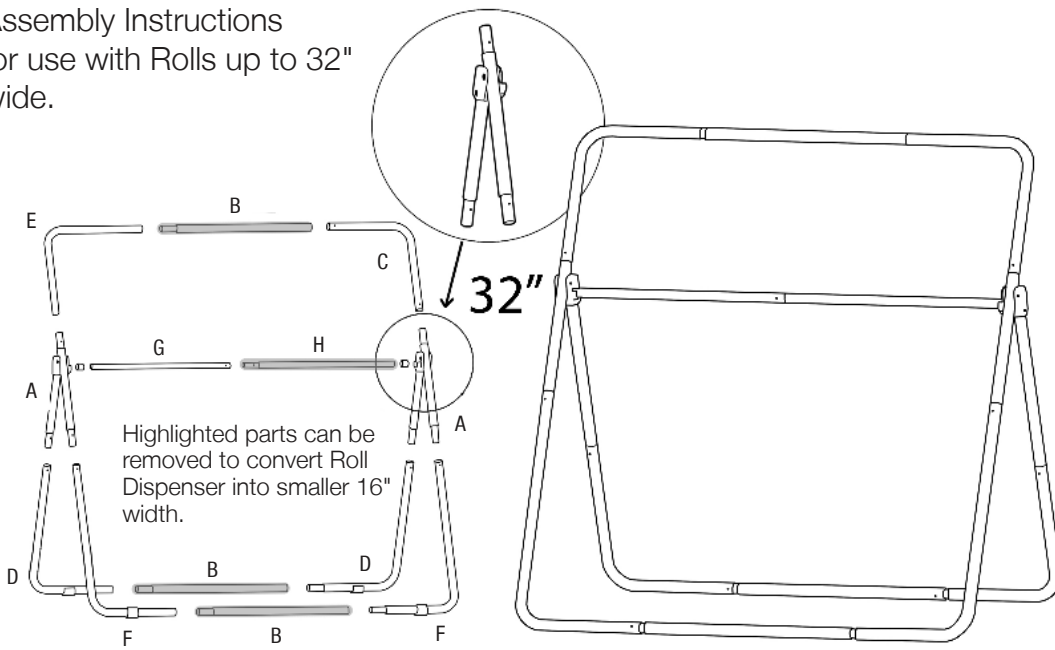


# Adjustable Roll Dispenser for Mats

Assembly Instructions  
for use with Rolls up to 32"  
wide.



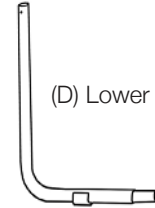
## PARTS LIST



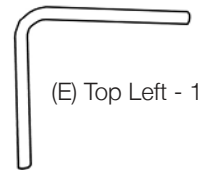
(A) Knuckles - 2 (B) Extension - 3



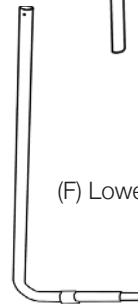
(C) Top Right - 1



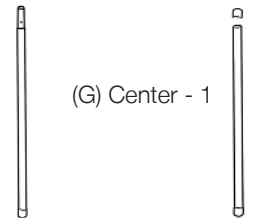
(D) Lower Rear - 2



(E) Top Left - 1



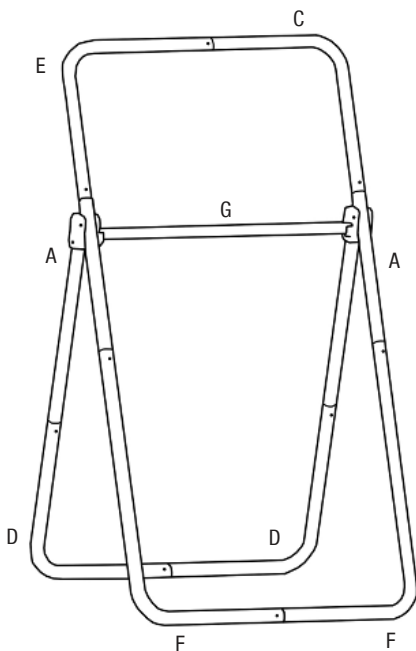
(F) Lower Front - 2



(G) Center - 1

(H) Center Extension - 1

Assembly Instructions for use with Rolls  
up to 16" wide.



Plastic end cap is required  
on both ends of center  
support for 16" Dispenser.

