

7 Series ENFORCER®

www.colsoncaster.com

- Kinpinless Top Plate Swivel & Rigid
- Capacity up to 6000 lbs each

Standard Features

- Attractive zinc plated finish
- Single ball hardened swivel raceway construction
- 3/4" solid axle with nut
- 5/16" steel top plate
- Formed fork legs feature robotic welding inside and out for consistent quality
- Fork legs 3/8" thick x 2 1/2" wide
- Recessed zerkl grease fitting on swivel raceway to prevent damage, grease fitting on wheel bearing for easy maintenance
- Multi-temp grease lubricates in extreme hot and cold temperatures



Caster Brake

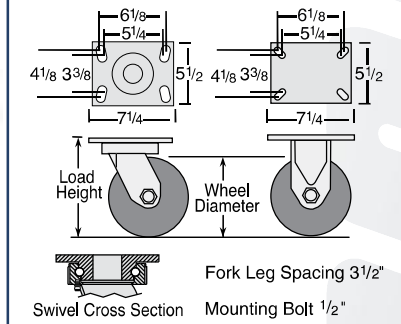


Tread Lock
(See page 19)
Available on all swivel casters except V-Groove models (Specify **BRK1**).

Wheel Selection

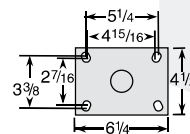


Standard Dimensions



Optional Top Plates

2 Top Plate
(Specify **MTG62**).



Fork / Wheel Options



NSF Listed
(See page 3) Some models NSF approved, consult factory.



Hand Activated Swivel Lock
(See page 19) Available on all swivel casters. Specify **MTG61** with standard top plate and **MTG62** with #2 top plate.

Nut Options
NT1 Thick lock nut

Load Height Option

| Wheel Dia. | Load Ht. | Swi. Rad. | Specify |
|------------|----------|-----------|---------------|
| 6" | 8" | 4 7/8" | LH8.0 |
| 8" | 10-1/2" | 6 5/8" | LH10.5 |
| 10" | 12-1/2" | 8 1/8" | LH12.5 |
| 12" | 15-1/2" | 10 1/8" | LH15.5 |

Colson 7 Series Casters • Enforcer Kinpinless Top Plate Swivel & Rigid • Capacity to 6000 lbs

| Wheel Dia. | Tread Width | Capacity Each (Pounds) | Wheel Descriptions | Swivel Top Plate Roller Bearing Caster Models | Rigid Top Plate Roller Bearing Caster Models | Optional Bearings (Order information below chart) | Load Height | Swivel Radius | Weight lbs (Rigid Deduct 5 lbs) |
|--------------------------------------|---------------|------------------------|--------------------------------------|---|--|---|-------------|---------------|---------------------------------|
| 6" | 2 1/2" | 1600 | Phenolic | 7.06689.369 | 7.06688.369 | Delrin, Roller | 7 1/2 | 4 3/4 | 13 1/2 |
| | | 2500 | Cast Iron | 7.06689.169 | 7.06688.169 | Delrin, Roller | 7 1/2 | 4 3/4 | 20 |
| | | | V-Groove | 7.06689.769 | 7.06688.769 | Delrin, Roller | 7 1/2 | 4 3/4 | 24 |
| | 3" | 4000 | Forged Steel | 7.06689.269 | 7.06688.269 | Delrin, Roller | 7 1/2 | 4 3/4 | 24 |
| | | 680 | Moldon Rubber (Cast Iron Core) | 7.06689.679.7 | 7.06688.679.7 | Delrin, Roller | 7 1/2 | 4 3/4 | 17 |
| | | 2000 | Phenolic | 7.06689.379 | 7.06688.379 | Delrin, Roller | 7 1/2 | 4 3/4 | 14 1/4 |
| | | 2040 | Moldon Polyurethane (Cast Iron Core) | 7.06689.979.7 | 7.06688.979.7 | Delrin, Roller | 7 1/2 | 4 3/4 | 19 1/4 |
| 6000 | V-Groove | 7.06689.789 | 7.06688.789 | Delrin, Roller | 7 1/2 | 4 3/4 | 21 1/4 | | |
| 8" | 2 1/2" | 2000 | Phenolic | 7.08689.369 | 7.08688.369 | Delrin, Roller | 10 1/8 | 6 9/16 | 15 1/2 |
| | | 840 | Moldon Rubber (Cast Iron Core) | 7.08689.679.7 | 7.08688.679.7 | Delrin, Roller | 10 1/8 | 6 9/16 | 24 3/4 |
| | 3" | 2500 | Phenolic | 7.08689.379 | 7.08688.379 | Delrin, Roller | 10 1/8 | 6 9/16 | 16 1/2 |
| | | | Moldon Polyurethane (Cast Iron Core) | 7.08689.979.7 | 7.08688.979.7 | Delrin, Roller | 10 1/8 | 6 9/16 | 27 3/4 |
| | | | Cast Iron | 7.08689.179 | 7.08688.179 | Delrin, Roller | 10 1/8 | 6 9/16 | 27 3/4 |
| | | | V-Groove | 7.08689.779 | 7.08688.779 | Delrin, Roller | 10 1/8 | 6 9/16 | 31 1/4 |
| | 4500 | Forged Steel | 7.08689.279 | 7.08688.279 | Delrin, Roller | 10 1/8 | 6 9/16 | 31 1/4 | |
| 10" | 2 1/2" | 1000 | Performa Rubber (Flat/Black) | 7.10689.459.2 | 7.10688.459.2 | Delrin, Roller | 11 1/2 | 7 5/8 | 18 1/4 |
| | | 1200 | Polyurethane HI-TECH | 7.10689.959 | 7.10688.959 | Delrin, Roller | 11 1/2 | 7 5/8 | 18 1/4 |
| | | 2500 | Phenolic | 7.10689.369 | 7.10688.369 | Delrin, Roller | 11 1/2 | 7 5/8 | 19 1/2 |
| | 3" | 1000 | Moldon Rubber (Cast Iron Core) | 7.10689.679.7 | 7.10688.679.7 | Delrin, Roller | 11 1/2 | 7 5/8 | 25 1/4 |
| | | 2900 | Phenolic | 7.10689.379 | 7.10688.379 | Delrin, Roller | 11 1/2 | 7 5/8 | 19 1/2 |
| | | 3000 | Moldon Polyurethane (Cast Iron Core) | 7.10689.979.7 | 7.10688.979.7 | Delrin, Roller | 11 1/2 | 7 5/8 | 31 1/2 |
| | | | Cast Iron | 7.10689.179 | 7.10688.179 | Delrin, Roller | 11 1/2 | 7 5/8 | 31 1/2 |
| 4500 | Forged Steel | 7.10689.279 | 7.10688.279 | Delrin, Roller | 11 1/2 | 7 5/8 | 37 1/2 | | |
| 12" | 3" | 1140 | Moldon Rubber (Cast Iron Core) | 7.12689.679.7 | 7.12688.679.7 | Delrin, Roller | 13 1/2 | 9 1/8 | 28 3/4 |
| | | 1700 | Performa Rubber (Flat/Black) | 7.12689.459.2 | 7.12688.459.2 | Delrin, Roller | 13 1/2 | 9 1/8 | 22 1/4 |
| | | | Polyurethane HI-TECH | 7.12689.989 | 7.12688.989 | Delrin, Roller | 13 1/2 | 9 1/8 | 22 1/4 |
| | | 3000 | Cast Iron | 7.12689.179 | 7.12688.179 | Delrin, Roller | 13 1/2 | 9 1/8 | 35 3/4 |
| | | 3500 | Phenolic | 7.12689.379 | 7.12688.379 | Delrin, Roller | 13 1/2 | 9 1/8 | 24 3/4 |
| Moldon Polyurethane (Cast Iron Core) | 7.12689.979.7 | | 7.12688.979.7 | Delrin, Roller | 13 1/2 | 9 1/8 | 40 | | |

Bearing Options

Wheels feature roller bearings in above chart. To order optional bearings, see information to the right.



Roller Bearing
Metal cage roller bearing (Specify **WB29**).
Metal thrust & retainer washers (Specify **WSR1**).



Delrin Bearing
For standard two-piece bearing change 9th digit to "1" (Example: 7.06689.361).

7 Series