

STANDARD BELT CURVE QUOTATION WORKSHEET

Company _____ Date _____
 Contact _____ Quote Due _____ Desired Delivery _____
 Phone No. _____ Contact Email _____ State _____
 Omni Sales Contact _____ Quote #: _____
 Quantity _____

Product Specs:

Max:
 - Width (inches): _____ Length (inches): _____
 - Height (inches): _____ Weight (lbs): _____
 Min:
 - Width (inches): _____ Length (inches): _____
 - Height (inches): _____ Weight (lbs): _____
 Description: _____
 Max. Qty.: _____ Total Live Load: _____
 Temperature
 -Environment: _____
 -Product: _____

Is product orientation critical? Yes No
 If yes: _____

Model:

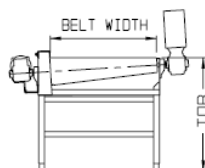
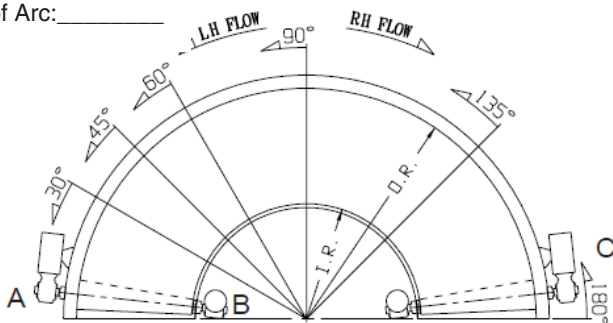
- PTBC (Standard Power Turn Belt Curve)
 NRBC (Nose Roller Belt Curve)
 1.9" Dia. End Rollers (Std) 1 3/8" Dia. End Rollers

Belt:

Belt Width _____ Lace _____
 Belt Type _____

Dimensional Information:

Outside Radius (O.R.): _____
 Inside Radius (I.R.): _____
 Deg of Arc: _____



Drive Position / Flow:

- Left Hand (CCW) - A or B
 Right Hand (CW) - C or D
 Reversing - How Often: _____

Support Type:

- Legs Ceiling Supports Portable None

Conveyor Construction:

- Welded
 Painted Epoxy Painted
 Powder Coated Color RAL: _____

Customer Requested Horsepower: _____

Speed: F.P.M.: _____ Fixed Variable (10:1 Ratio)

- AC Speed Controller DC Speed Controller
 Mechanical Variable Speed Adjustment
 None

Plant Voltage:

- 110V Single Phase 460V Three Phase
 220V Single Phase 208V Three Phase
 220V Three Phase 575V Three Phase

Options:

- Sideguides
 - Inside Guide (0" Std.): _____
 - Outside Guide (2" Std.): _____
 Quiet Traxx - Quiet Guide System Design
 Blockveyor - Self Cleaning Design
 Transition Accessories:
 Type: _____ Location: _____
 Gravity Roller Infeed Exit Both Ends
 Power Roller Infeed Exit Both Ends
 Plate Infeed Exit Both Ends

Mating up to Omni Equipment Yes No

Other: _____

Approval Drawing Required: Yes No