

ZERO PRESSURE LINESHAFT DRIVEN LIVE ROLLER CONVEYOR QUOTATION

Company _____ Date _____
 Contact _____ Quote Due _____ Desired Delivery _____
 Phone No. _____ Contact Email _____ State _____
 Omni Sales Contact _____ Quote #: _____
 Quantity _____

Product Specs:

Max:
 - Width (inches): _____ Length (inches): _____
 - Height (inches): _____ Weight (lbs): _____
 Min:
 - Width (inches): _____ Length (inches): _____
 - Height (inches): _____ Weight (lbs): _____
 Description: _____
 Max. Qty.: _____ Total Live Load: _____
 Temperature
 -Environment: _____
 -Product: _____

Drive Type:

- Underhung (21 1/4 in. min. top of roller)
- Side Mount (10 3/4 in. min. top of roller)
- Timing Belt Chain

Plant Voltage:

- 110V Single Phase 440V Three Phase
- 220V Single Phase 208V Three Phase
- 220V Three Phase 575V Three Phase

Other: _____

Conveyor Construction:

- Bolt-Together Galvanized (STD) Finish Coat
- Welded/Finish Coat (Req'd on BF's greater than 39 in.)

Finish Coat:

- Paint Color: _____
- Powder Coat Color (RAL #): _____

Roller Specs.:

- 1 3/8 in. dia. Roller c/c: _____
 1-1/2 in. (Photo eye only)
- 1.9 in. dia. Roller c/c: _____
 3 in., 4 in., 6 in. or 8 in. (Trigger Roller or Photo eye)

Between Frames Width:

- _____ 13 in. thru 28 in. for 1 3/8 in. dia. Roller
- _____ 13 in. thru 39 in. for 1.9 in. dia. Roller

Support Type:

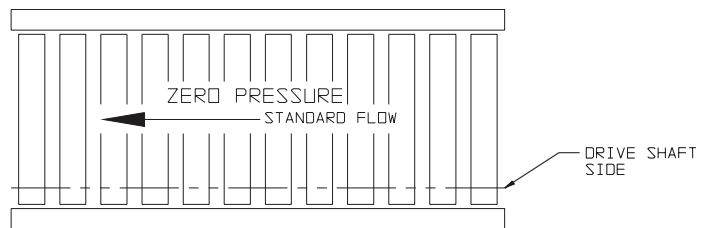
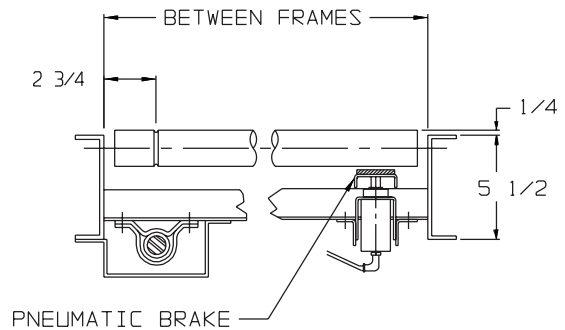
- Legs Ceiling Supports None
- TOR: _____

Flow: Standard _____ Opposite _____

Speed:

- FPM: _____ Fixed Variable (10:1 ratio)
- 60 FPM (Standard) 25-120 FPM Available (Standard)
- AC Controller DC Controller Less Controller

NOTE: If speed is variable, specify maximum.
 Minimum is always 25 FPM.



Approval Drawing Required: Yes No