

BASELINE MDR - STRAIGHT AND CURVE

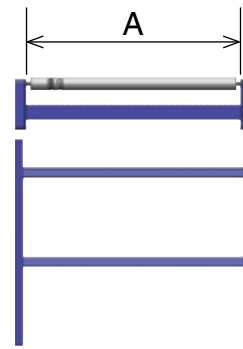
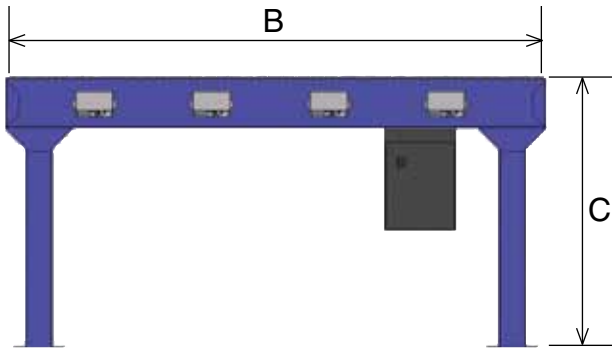
MOTOR DRIVEN ROLLER CONVEYOR - STRAIGHT



Motor Driven Roller (MDR) Conveyors are an excellent choice when fast and easy installation, low maintenance and minimal spare parts are a primary consideration. The quiet operating conveyor is great for zero pressure accumulation and transportation.

BASELINE SPECIFICATIONS

- Lengths in 1" increments 2' to 100'
- Between frame in any increment 15" to 39"
- 30 to 120 FPM max speed
- Ceiling supports, floor supports, side guides and end stops available
- Powder coat finishes and galvanized material available



Ref.	1.9"
A	15" - 39"
B	2' - 100'
C	21" - 87"

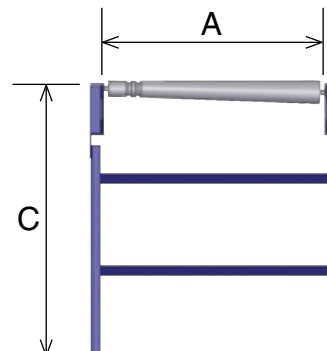
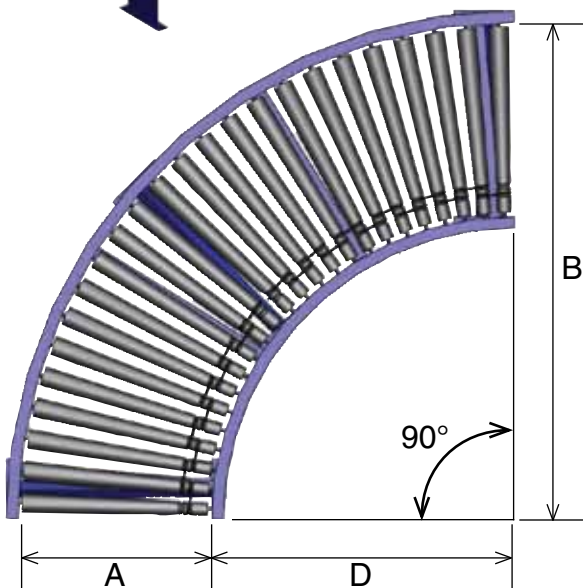
A = Between Frame (BF)
B = Overall Length (OAL)
C = Top of Roller (TOR)

MOTOR DRIVE ROLLER CONVEYOR - CURVE



BASELINE SPECIFICATIONS

- 30°, 45°, 60° and 90° turns
- 36" standard inside radius
- Between frame in any increment 15" to 39"
- Ceiling supports, floor supports, side guides and end stops available
- Powder coat finishes and galvanized material available



Ref.	
A	15" - 39"
B	51" - 75"
C	11" - 87"
D	36"

A = Between Frame (BF)
B = Outside Radius (OR)
C = Top of Roller (TOR)
D = Inside Radius (IR)

MDR STRAIGHT DRIVE SPECIFICATIONS

POWER SUPPLY

- 5, 10 and 20 amp DC power supply
- 24 VDC fixed output
- 380 – 480 VAC , 3 Phase, 50-60 Hz., 0.65 amp input
- NEMA 12 enclosure

MOTORIZED DRIVE ROLLER

- 1.9" diameter
- 24 VDC brushless internal motor, 22 watt
- 8 in-lbs rated torque
- 20 in-lbs starting torque

SLAVE ROLLERS

- 1.9" dia. x 16 ga. galvanized rollers
- ABEC-1 precision bearings

ROLLER SPACING

- 3" roller centers

MDR CURVE DRIVE SPECIFICATIONS

POWER SUPPLY

- Optional

MOTORIZED DRIVE ROLLER

- 1.9" diameter mounted below slave rollers
- 24 VDC brushless internal motor, 22 watt
- 8 in-lbs rated torque
- 20 in-lbs starting torque

SLAVE ROLLERS

- 2.5" dia. to 1-11/16" dia. zinc plated tapered rollers
- ABEC-1 precision bearings

ROLLER SPACING

- 3" roller centers, nominal roller spacing

CURVE ZONE QUANTITY

- 60° and 90° - 2 zones
- 30° and 45° - 1 zone



ZERO PRESSURE AND TRANSPORTATION SPECIFICATIONS

ZERO PRESSURE

- 18", 24" or 30" long drive zones
- 75 lbs. maximum product load
- 1 motorized drive roller and ZPA module per zone
- Variable speed potentiometer on ZPA module
- Multiple operating modes
 - Zero pressure accumulation
 - High throughput zero pressure accumulation
 - Train mode (slug release)
- Retro-reflective photo eye



TRANSPORTATION SYSTEMS

- 30" long drive zones
- 30 lbs. per foot maximum product load
- 1 motorized drive roller and driver module per zone
- Variable speed potentiometer on driver module
- Transports product without accumulation

