

HYDRAULIC UPENDER QUOTATION WORKSHEET

Company _____ Date _____
 Contact _____ Quote Due _____ Desired Delivery _____
 Phone No.: _____ Contact Email: _____ State _____
 Omni Sales Contact: _____ Quote #: _____
 Quantity: _____

APPLICATION INFORMATION

How is upender to be used? _____

Equipment mounted to the upender platform: _____

Product Description: _____

Size: _____ W x _____ L x _____ H, WT = _____ LBS.

Upender Information:

Quantity: _____

Capacity: _____ Platform (A) Length: _____ Platform (A) Width: _____

Platform (B) Length: _____ Platform (B) Width: _____

Height Info.: Lowered _____

Degree of Upending: _____

Cycle Info.: Jogs/Cycle _____

Cycles/Hour _____

Time To Cycle:

Raise Time + _____ sec.

Load/Unload Time + _____ sec.

Lower Time + _____ sec.

Load/Unload Time + _____ sec.

Complete Cycle Time = _____ sec.

Power Unit:

External

Internal

None

Skirting on Upender:

Yes

No

Plant Voltage:

110V Single Phase

440V Three Phase

220V Single Phase

208V Single Phase

220V Three Phase

575V Three Phase

Controls:

Foot Pedal

Hand Held Pendant

No Controller

Less All Controls

How is upender loaded?

End

When raised

Side

When lowered

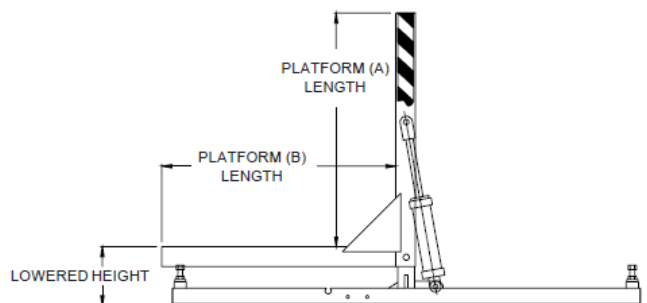
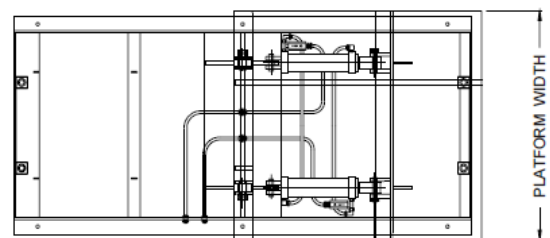
How is upender off loaded?

End

When raised

Side

When Lowered



Approval Drawing Required: Yes No