

BASELINE BELT CONVEYOR - CURVE

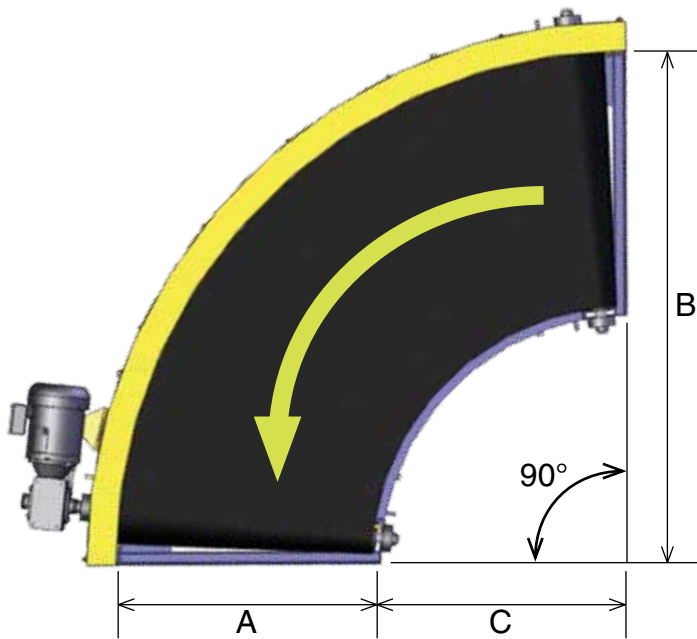
BELT CURVE CONVEYOR



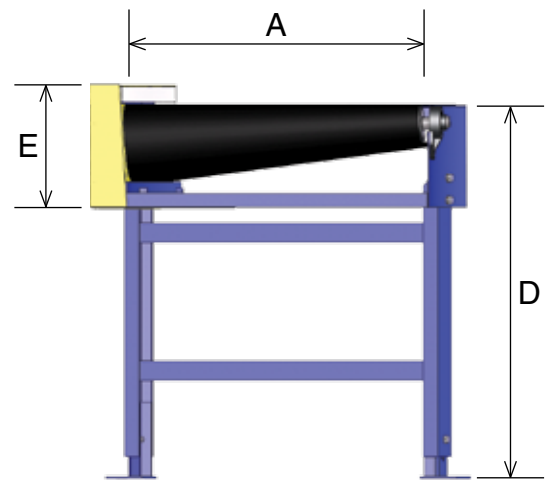
Power Turn Belt Conveyors from Omni Metalcraft Corp. provide a versatile means of conveying a wide variety of products. Easily navigate corners while maintaining leading-edge product orientation. Omni's unique, low maintenance belt guidance system keeps the belt on track and your system up and running.

BASELINE SPECIFICATIONS

- 90° and 180° turns
- 1/2, 3/4, 1, 1 1/2, 2 HP
- Side mount and end drives
- Up to 800 lbs. total live load capacity
- Welded construction
- Floor supports and side guides available
- Powder coat finish



Left Hand Curve Shown

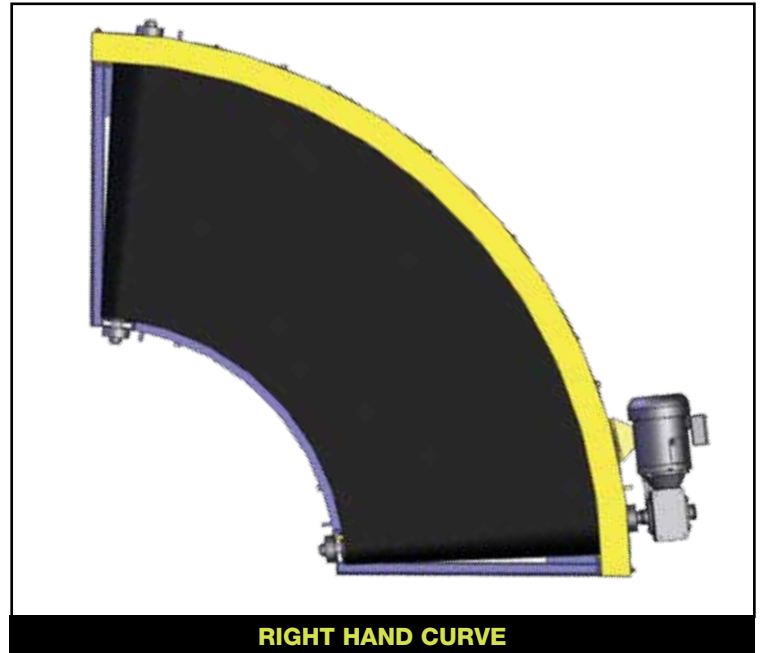
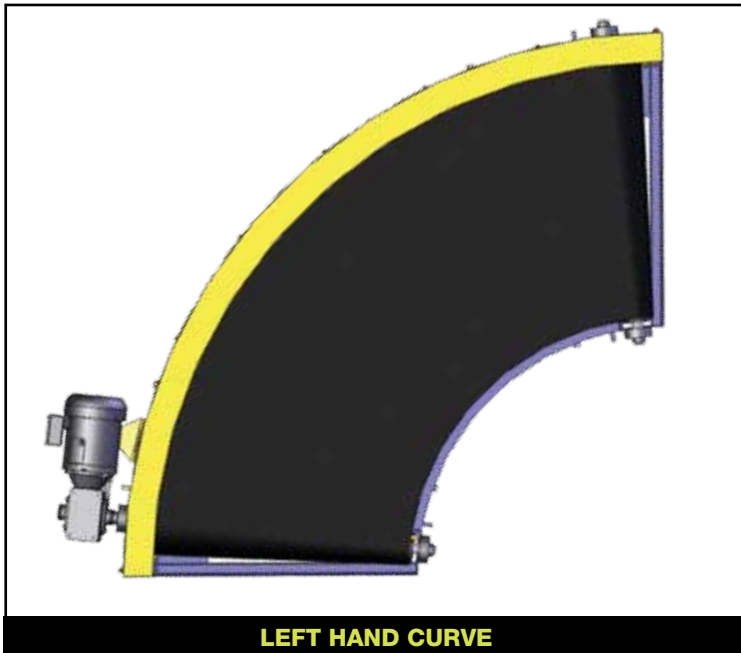


- A = Belt Width
- B = Outside Radius (OR)
- C = Inside Radius (IR)
- D = Top of Belt (TOB)
- E = Frame Height

BELT CURVE SPECIFICATIONS

OUTSIDE RADIUS	BELT WIDTH	INSIDE RADIUS	TOP OF BELT	FRAME HEIGHT	MAX LOAD	MAX SPEED AT CENTERLINE OF BELT		
						B	A	C
					lbs.	60:1	20:1	25:1
36"	6"	30"	7 9/16" - 40"	9 7/16"	400	32	98	N/A
	8"	28"				31	95	N/A
	12"	24"				29	89	N/A
48"	12"	36"	9 1/16" - 40"	10 15/16"	400	41	123	N/A
	18"	30"				38	115	N/A
	20"	28"				37	112	N/A
	24"	24"				35	106	N/A
60"	24"	36"	10 9/16" - 40"	12 3/8"	600	47	N/A	112
	30"	30"				44	N/A	105
	36"	24"				41	N/A	99
72"	36"	36"	12" - 40"	13 7/8"	700	52	N/A	126
	42"	30"				49	N/A	119
	48"	24"				47	N/A	112
87"	36"	51"	10 7/8" - 40"	12 3/4"	800	48	N/A	115
	42"	45"				45	N/A	110
	48"	39"				44	N/A	105

DRIVE SPECIFICATIONS



208-230/460VAC - 3 PHASE - 60 Hz

- Totally enclosed fan cooled
- 1750 RPM
- Inverter capable 4:1 speed ratio
- 1.00 service factor
- Sealed worm gear "C" face speed reducer



115/230VAC - 1 PHASE - 60 Hz

- Totally enclosed fan cooled
- 1750 RPM
- 1.15 service factor
- Sealed worm gear "C" face speed reducer

BELT SPECIFICATIONS

	Trackmate 120 EMB		TM120RT-B		TMIPH533EMB	
Nominal Thickness	0.1 in	2.54 mm	.225 in	5.7 mm	.15 in	3.8 mm
Weight	.744 lbs.	3.6 kg/m ²	0.88 lbs.	4.3 kg/m ²	.96 lbs/ft ²	4.7 kg/m ²
Temperature Minimum	-10° F	-23° C	-10° F	-23° C	-10° F	-23° C
Temperature Maximum	180° F	82° C	158° F	70° C	176° F	80° C
Admissible Tensile Force	137 lbs./in	24 N/mm	61 lbs./in	11 N/mm	51 lbs./in	9 N/mm
Conveying Surface	Polyester fabric with PVC embossed cover		PVC rough top		PVC embossed cover; Grip structure	
Applications	Horizontal package handling, transport conveying, diverse uses in material handling and general conveyance applications		Decline belt; Incline belt; Induction belt; Metering belt		Acceleration belt; Baggage handling - public view; Check-in belt; Induction belt; Metering/singulation belt	