

BASELINE LINESHAFT - CURVE

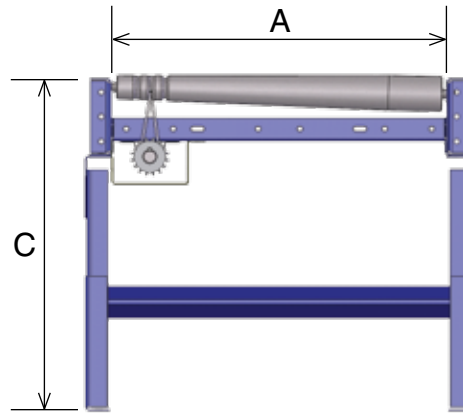
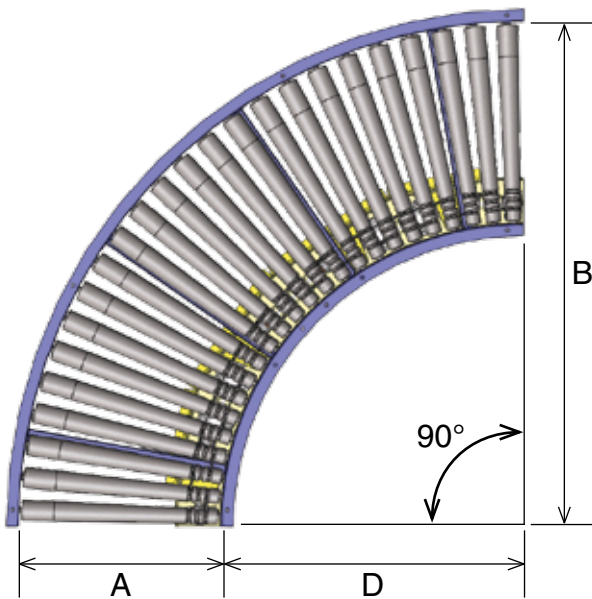
LINESHAFT DRIVEN ROLLER CURVE CONVEYOR



Lineshaft Curve Conveyors are an optimum solution for economic conveyance of light loads. They are designed for flat-bottomed, evenly distributed loads such as those found in distribution and warehousing, food packaging and parcel handling. Clean, dry, oil free environments are the ideal conditions to maximize performance.

BASELINE SPECIFICATIONS

- 30°, 45°, 60° and 90° turns
- 36" inside radius
- Between frame in 1" increments 10" to 39"
- Up to 120 FPM max speed
- Ceiling supports, floor supports, side guides and end stops available
- Powder coat finishes and galvanized material available



Ref.	1.4"	1.9"
A	10" - 28"	13" - 39"
B	46" - 64"	49" - 75"
C	22" - 88"	
D	36"	

A = Between Frame (BF)
 B = Outside Radius (OR)
 C = Top of Roller (TOR)
 D = Inside Radius (IR)

Accumulation not recommended on Lineshaft Curves.

ROLLER SPECIFICATIONS

CURVE TYPE	INSIDE RADIUS	ROLLER DIAMETER	BEARINGS	TUBE DETAIL		AXLE DETAIL			ROLLER SPACING	MAX LOAD PER ROLLER
			Details	Wall Thickness	Material	Size	Type	Retention	Centers	lbs.
30°, 45°, 60°, 90°	36"	1.4" Tapered	Non-Precision	16 ga.	Galvanized	5/16"	Hex	Spring	1.5" Nominal	10
	36"	1.9" Tapered	Non-Precision	16 ga.	Galvanized	7/16"	Hex	Spring	3" Nominal	15

NON-PRECISION BEARING (NP)

Non-Precision bearings are made of a stamped metal housing with very loose tolerances. They are not intended for very heavy loads or high speeds.

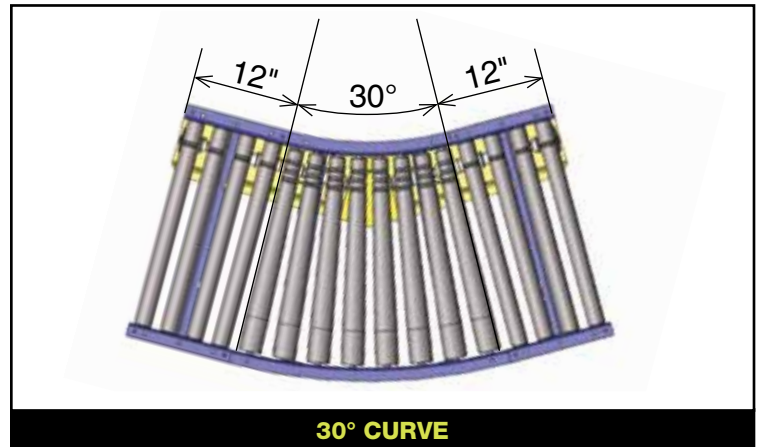
ROLLER QUANTITY BY CURVE SIZE

ROLLER DIAMETER (TAPERED)	30°		45°		60°		90°	
	Tapered	Straight	Tapered	Straight	Tapered	Straight	Tapered	Straight
1.4 (1 1/2" to 1")	10	16	16	0	20	0	32	0
1.9 (2 1/2" to 1 11/16")	8	8	12	0	16	0	24	0

CURVE SPECIFICATIONS

1 3/8" DIAMETER X 16 GA. ROLLER CURVE

BETWEEN FRAME WIDTH	CONVEYOR WEIGHT (lbs.)			
	30°	45°	60°	90°
10"	51	93	109	174
11"	59	94	112	178
12"	67	96	114	182
13"	75	97	117	187
14"	82	98	119	191
15"	90	99	122	195
16"	98	101	124	199
17"	106	102	127	203
18"	114	103	129	207
19"	122	105	132	212
20"	129	106	134	216
21"	137	107	137	220
22"	145	108	139	224
23"	153	110	142	228
24"	161	111	144	232
25"	169	112	147	237
26"	176	113	149	241
27"	184	115	152	245
28"	192	116	154	249

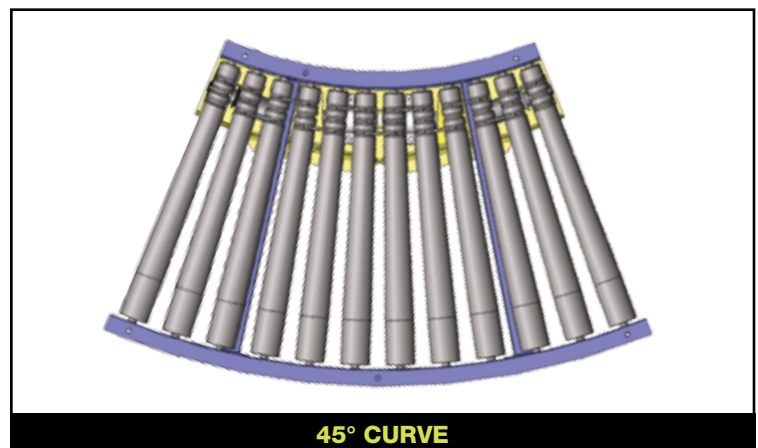


30° CURVE

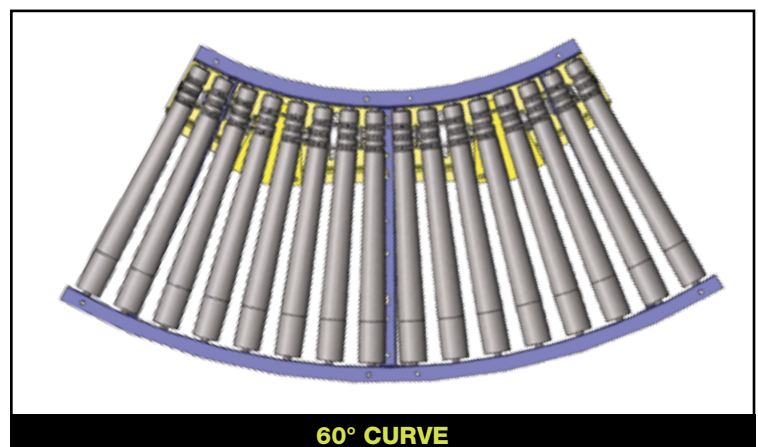
Note: 30° curves are supplied with 12" tangents

1.9" DIAMETER X 16 GA. ROLLER CURVE

BETWEEN FRAME WIDTH	CONVEYOR WEIGHT (lbs.)			
	30°	45°	60°	90°
13"	126	89	121	194
14"	129	91	124	199
15"	132	94	128	203
16"	135	96	131	208
17"	138	98	134	213
18"	140	101	137	217
19"	143	103	141	222
20"	146	105	144	227
21"	149	108	147	231
22"	152	110	150	236
23"	155	112	154	241
24"	158	115	157	245
25"	161	117	160	250
26"	164	120	164	255
27"	166	122	167	259
28"	169	124	170	264
29"	172	127	173	268
30"	175	129	177	273
31"	178	131	180	278
32"	181	134	183	282
33"	184	136	186	287
34"	187	138	190	292
35"	189	141	193	296
36"	192	143	196	301
37"	195	145	199	306
38"	198	148	203	310
39"	201	150	206	315



45° CURVE



60° CURVE

P.O. Box 352 ■ Alpena, Michigan 49707
 Phone 989.358.7000
 Fax 989.358.7020
 info@omni.com
 www.omni.com