

# BASELINE FMDR - STRAIGHT AND CURVE

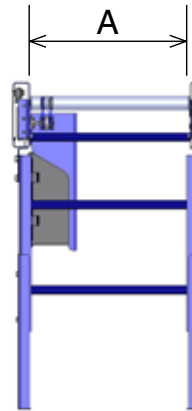
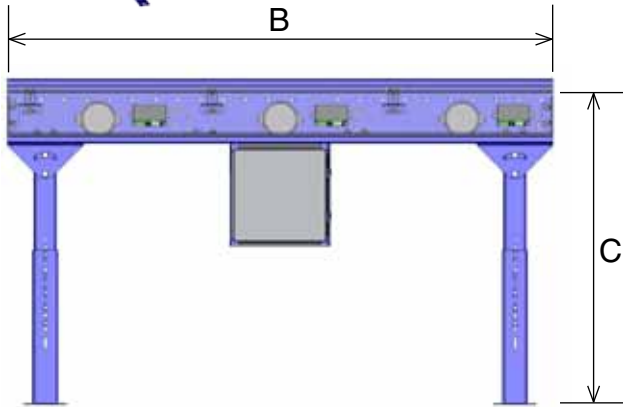
## FLAT MOTOR DRIVEN ROLLER CONVEYOR - STRAIGHT



24V Flat Motor Driven Roller Conveyor (FMDR) is an excellent conveyor choice when energy efficiency, ease of installation, low maintenance and minimal spare parts are primary considerations. It is designed to work well for both zero pressure accumulation and transportation.

### BASELINE SPECIFICATIONS

- Length 1.5' to 100' maximum, increments based on roller centers for transportation and zones for zero pressure
- Between frame in 1" increments 13" to 39"
- 30 to 120 FPM
- Ceiling supports, floor supports and side guides available
- Powder coat finishes and galvanized material available



Ref.	1.9"
A	13" - 39"
B	1.5' - 100'
C	13.25" - 89.5"

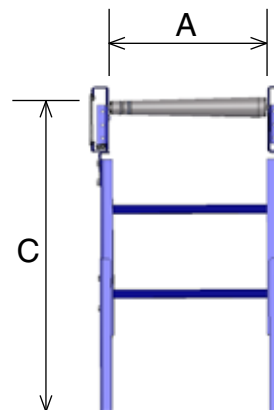
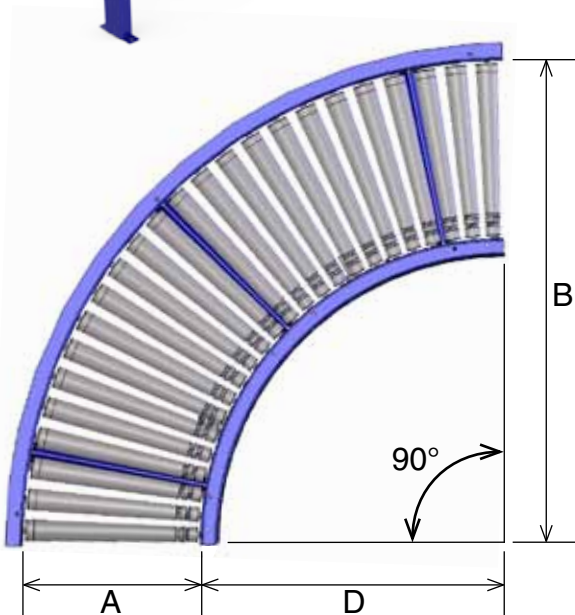
A = Between Frame (BF)  
B = Overall Length (OAL)  
C = Top of Roller (TOR)

## FLAT MOTOR DRIVEN ROLLER CONVEYOR - CURVE



### BASELINE SPECIFICATIONS

- 30°, 45°, 60° and 90° turns
- 36" standard inside radius
- Between frame in 1" increments 13" to 39"
- 30 to 120 FPM
- Ceiling supports, floor supports and side guides available
- Powder coat finishes and galvanized material available



Ref.	1.9"
A	13" - 39"
B	49" - 75"
C	13.25" - 89.5"
D	36"

A = Between Frame (BF)  
B = Outside Radius (OR)  
C = Top of Roller (TOR)  
D = Inside Radius (IR)

## FMDR STRAIGHT DRIVE SPECIFICATIONS

### POWER SUPPLY

- 24 VDC fixed output
- NEMA 12 enclosure
- 20 amp DC power supply
  - 115 VAC, 1 Phase, 60 Hz., 5.7 amp input
  - 230 VAC, 1 Phase, 60 Hz., 2.8 amp input
  - 460 VAC, 3 Phase, 60 Hz., 1.6 amp input
- 5 amp DC power supply
  - 115 VAC, 1 Phase, 60 Hz., 1.4 amp input
  - 230 VAC, 1 Phase, 60 Hz., 0.8 amp input
  - 460 VAC, 3 Phase, 60 Hz., 0.5 amp input

### MOTOR

- 24 VDC brushless motor, 75 watt
- 14 in-lbs rated torque

### SLAVE ROLLERS

- 1.9" dia. x 16 ga. galvanized rollers
- ABEC-1 precision bearings

### ROLLER SPACING

- 2", 3" and 4" roller centers

## FMDR CURVE DRIVE SPECIFICATIONS

### POWER SUPPLY

- Optional 5 amp DC power supply
  - 115 VAC, 1 Phase, 60 Hz., 1.4 amp input
  - 230 VAC, 1 Phase, 60 Hz., 0.8 amp input
  - 460 VAC, 3 Phase, 60 Hz., 0.5 amp input

### MOTOR

- 24 VDC brushless motor, 75 watt
- 14 in-lbs rated torque

### SLAVE ROLLERS

- 2.5" dia. to 1-11/16" dia. zinc plated tapered rollers
- ABEC-1 precision bearings

### ROLLER SPACING

- 3" roller centers, nominal roller spacing

### CURVE ZONE QUANTITY

- 60° and 90° - 2 zones
- 30° and 45° - 1 zone

## ZERO PRESSURE AND TRANSPORTATION SPECIFICATIONS

### ZERO PRESSURE

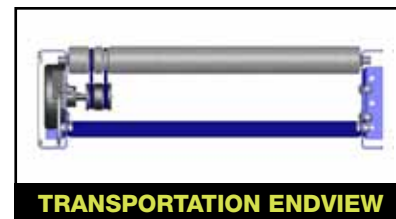
- 18", 24", 30" or 36" long drive zones
- 75 lbs. maximum product load
- 1 flat motor and ZPA module per zone
- Variable speed potentiometer on ZPA module
- Multiple operating modes
  - Zero pressure accumulation
  - High throughput zero pressure accumulation
  - Train mode (slug release)
- Retro-reflective photo eye

### TRANSPORTATION SYSTEMS

- 16 rollers/drive zone maximum
- 28 lbs. per foot maximum product load
- 1 flat motor and driver module per zone
- Variable speed potentiometer on driver module
  - Multiple speed options with DIP switches
- Transports product without accumulation



**ZERO PRESSURE ENDVIEW**



**TRANSPORTATION ENDVIEW**