

# BASELINE BELT CONVEYOR - INCLINE

## INCLINED BELT CONVEYOR

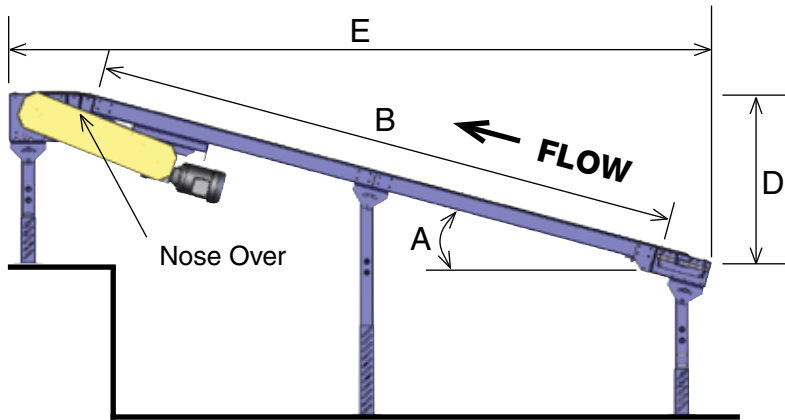


Incline Belt Conveyors are used to transport products up or down between floors. The curved nose-over design provides a smooth transfer from the incline to the horizontal plane. Belt conveyors provide the most versatile means of handling a wide variety of products from bulky boxes and bundled items to furniture, wood sheets, totes and packaged goods.

### BASELINE SPECIFICATIONS

- Inclined slider and inclined roller bed
- Bed lengths in 1' increments 5' to 40'
- Belt widths in 1" increments 12" to 36"
- Up to 120 FPM max speed
- 1/2, 3/4, 1, 1 1/2, 2 HP
- Underhung end or underhung center drives
- Up to 300 lbs. per foot load capacity
- Ceiling supports, floor supports, side guides and end stops available
- Powder coat finishes and galvanized material available

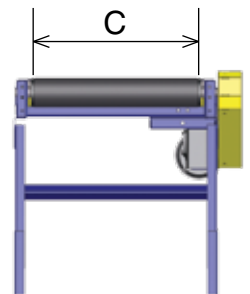
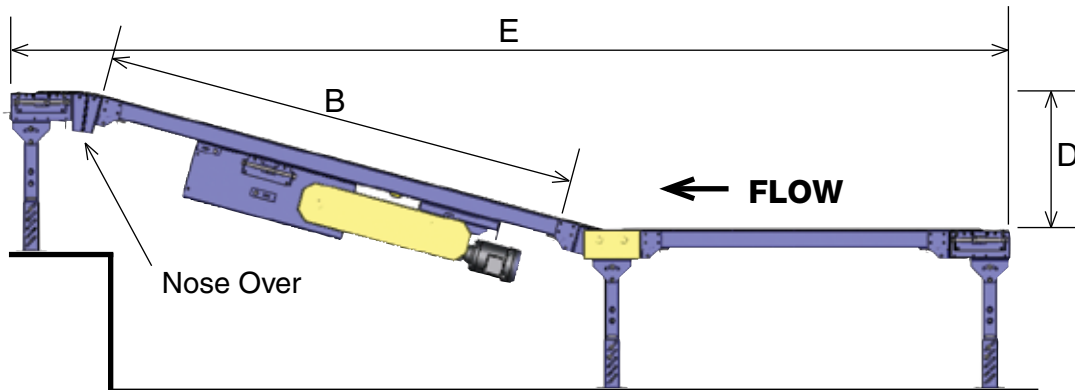
### STYLE 1 INCLINED BELT CONVEYOR



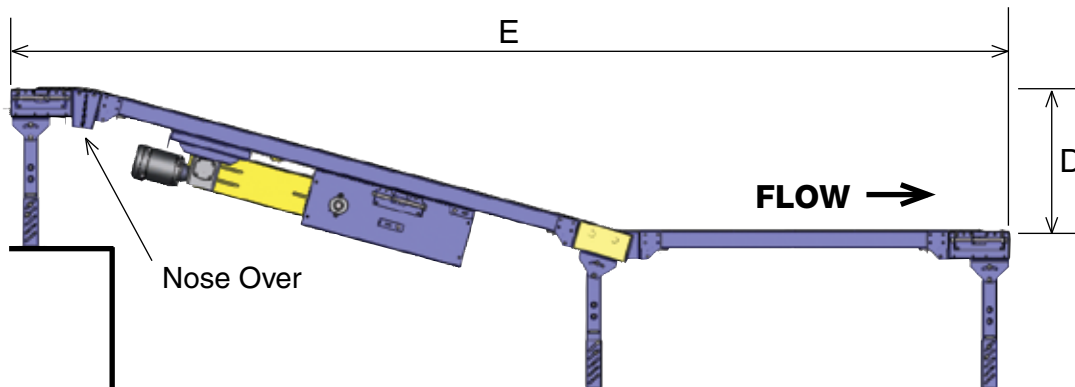
A	B	C	D	E
7.5°	5' - 40'	12" - 36"	10" - 64"	87" - 502"
12.5°			16" - 107"	87" - 497"
15°			20" - 128"	87" - 493"
20°			26" - 169"	87" - 482"
22.5°			30" - 190"	87" - 475"
25°			33" - 210"	87" - 467"
27.5°			36" - 230"	87" - 460"

A = Angle  
 B = Bed Length  
 C = Bed Width  
 D = Elevation Change  
 E = Horizontal Overall Length

### STYLE 2 INCLINED BELT CONVEYOR



### STYLE 3 DECLINE BELT CONVEYOR



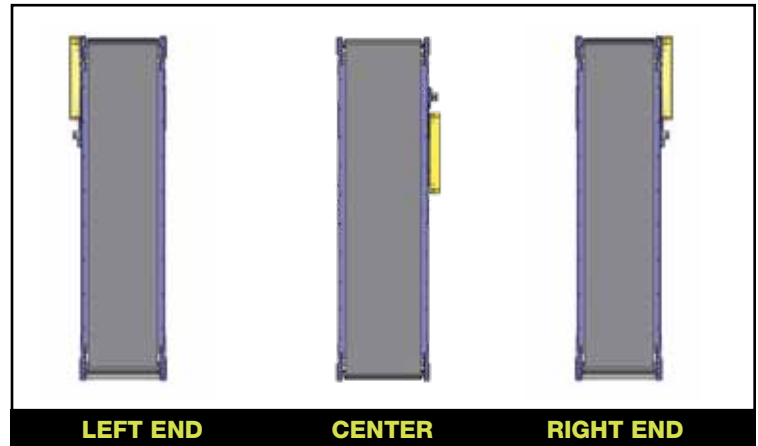
## DRIVE SPECIFICATIONS

### 208-230/460 VAC - 3 PHASE - 60 Hz

- Totally enclosed fan cooled
- 1750 RPM
- Inverter capable 4:1 speed ratio
- 1.00 service factor

### 115/230 VAC - 1 PHASE - 60 Hz

- Totally enclosed fan cooled
- 1750 RPM
- 1.15 service factor
- Sealed worm gear "C" face speed reducer



## CONVEYOR CAPACITY INFORMATION

### SLIDER BED TOTAL LIVE LOAD CAPACITIES

	25° Incline	HP	30 FPM			60 FPM			90 FPM		
			Belt Width			Belt Width			Belt Width		
			12"	24"	36"	12"	24"	36"	12"	24"	36"
<b>BED LENGTH</b>	20	1/2	420	400	375	195	175	150	120	95	75
		3/4	650	625	600	310	285	260	195	175	150
		1	875	850	825	420	400	375	270	250	225
		1 1/2	1325	1300	1275	650	625	600	420	400	375
		2	1775	1750	1730	875	850	825	575	550	525
	40	1/2	405	360	315	175	135	90	100	60	15
		3/4	630	585	540	290	245	205	175	135	90
		1	855	810	765	405	360	315	250	210	165
		1 1/2	1305	1260	1220	630	585	540	405	360	315
		2	1755	1715	1670	855	810	765	555	510	465

### ROLLER BED TOTAL LIVE LOAD CAPACITIES

	25° Incline	HP	30 FPM			60 FPM			90 FPM		
			Belt Width			Belt Width			Belt Width		
			12"	24"	36"	12"	24"	36"	12"	24"	36"
<b>BED LENGTH</b>	20'	1/2	630	590	555	295	255	220	180	145	110
		3/4	965	925	890	460	425	390	295	255	220
		1	1300	1260	1225	630	590	555	405	370	335
		1 1/2	1970	1930	1895	965	925	890	630	590	555
		2	2640	2600	2565	1300	1260	1225	850	815	780
	40'	1/2	600	535	470	265	200	135	150	85	25
		3/4	935	870	805	430	365	300	265	200	135
		1	1270	1205	1140	600	535	470	375	310	245
		1 1/2	1940	1875	1810	935	870	805	600	535	470
		2	2610	2545	2480	1270	1205	1140	820	755	695