

## BELT CONVEYOR QUOTATION WORKSHEET

Company \_\_\_\_\_ Date \_\_\_\_\_  
 Contact \_\_\_\_\_ Quote Due \_\_\_\_\_ Desired Delivery \_\_\_\_\_  
 Phone No. \_\_\_\_\_ Contact Email \_\_\_\_\_ State \_\_\_\_\_  
 Omni Sales Contact \_\_\_\_\_ Quote # \_\_\_\_\_  
 Quantity \_\_\_\_\_ Model Number \_\_\_\_\_

### Product Specs:

Max:  
 - Width (inches): \_\_\_\_\_ Length (inches): \_\_\_\_\_  
 - Height (inches): \_\_\_\_\_ Weight (lbs): \_\_\_\_\_  
 Min:  
 - Width (inches): \_\_\_\_\_ Length (inches): \_\_\_\_\_  
 - Height (inches): \_\_\_\_\_ Weight (lbs): \_\_\_\_\_  
 Description: \_\_\_\_\_  
 Max. Qty.: \_\_\_\_\_ Total Live Load: \_\_\_\_\_  
 Temperature  
 -Environment: \_\_\_\_\_  
 -Product: \_\_\_\_\_

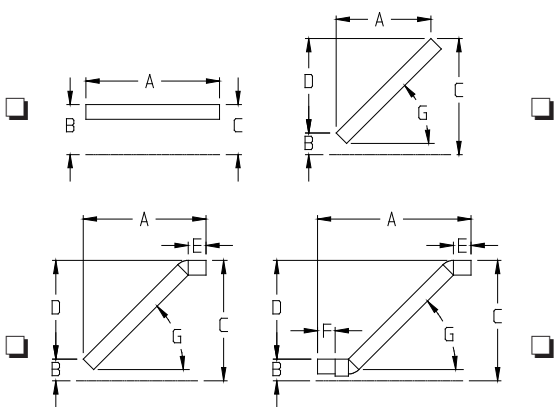
### Belt:

Belt Width \_\_\_\_\_ Lace \_\_\_\_\_  
 Belt Type \_\_\_\_\_

### Conveyor Orientation:

Horizontal  Incline  Decline

A = \_\_\_\_' - \_\_\_\_" Horiz. OAL  
 B = \_\_\_\_' - \_\_\_\_" TOB  
 C = \_\_\_\_' - \_\_\_\_" TOB  
 D = \_\_\_\_' - \_\_\_\_" Elevation Change  
 E = \_\_\_\_' - \_\_\_\_" Nose-Over  
 F = \_\_\_\_' - \_\_\_\_" Power Infeed (Slaved)  
 G = \_\_\_\_ Deg. Approx. (Ref.)



### Support Type:

Legs  Ceiling Supports  Portable  None

Approval Drawing Required:  Yes  No

### Conveyor Type:

Slider Bed  
 Roller Bed  
 1.9 x 16 GA.  1.9 x .145 W.  2 1/2 x 11 GA.  
 Other: \_\_\_\_\_ Roller C/C: \_\_\_\_\_  
 V-Guided  
 Cleated Height: \_\_\_\_\_ C/C: \_\_\_\_\_  
 Trough

### Conveyor Construction:

Welded  
 Painted  Epoxy Painted  
 Powder Coated Color RAL: \_\_\_\_\_  
 Bolt-Together Galvanized

### Drive Type:

Under Hung  Shaft Mount  Side Mount  
 Over Top \_\_\_\_\_ " Clearance  
 Motorized Drive Pulley

### Drive Location:

Discharge End  Center  Right Hand Drive  
 Other \_\_\_\_\_  One Direction Product Flow  
 Bi-Direction Product Flow

Customer Requested Horsepower: \_\_\_\_\_

Speed: F.P.M.: \_\_\_\_\_  Fixed  Variable (10:1 Ratio)

AC Speed Controller  DC Speed Controller  
 Mechanical Variable Speed Adjustment  None

### Plant Voltage:

110V Single Phase  460V Three Phase  
 220V Single Phase  208V Three Phase  
 220V Three Phase  575V Three Phase

Other: \_\_\_\_\_  
 \_\_\_\_\_  
 \_\_\_\_\_  
 \_\_\_\_\_  
 \_\_\_\_\_  
 \_\_\_\_\_