



Markem-Imaje's commitment: to deliver best in class efficiency.

The new 2200 Pallet builds on a proven concept providing reliability, efficiency and ease of use in demanding 24/7 environments. The 2200 Pallet takes print and apply to the next stage of evolution, giving you optimized operational intervention and unparalleled reliability.

Unmatched reliability

- Unique compact design and robust swing arm applicator makes it the perfect long-term investment.
- High performance non-stick label pad and contact parts for easy to clean, uncomplicated operation.

Operation optimization

- Simple media path allows operators to reload label and ribbon rolls in less than 40 seconds.
- Synchronized label and ribbon change.
- «No tools» concept allows printhead and roller exchanging in less than 60 seconds.
- Automatic shut-off feature for enhanced operator safety and quick restart.

Eco-initiatives

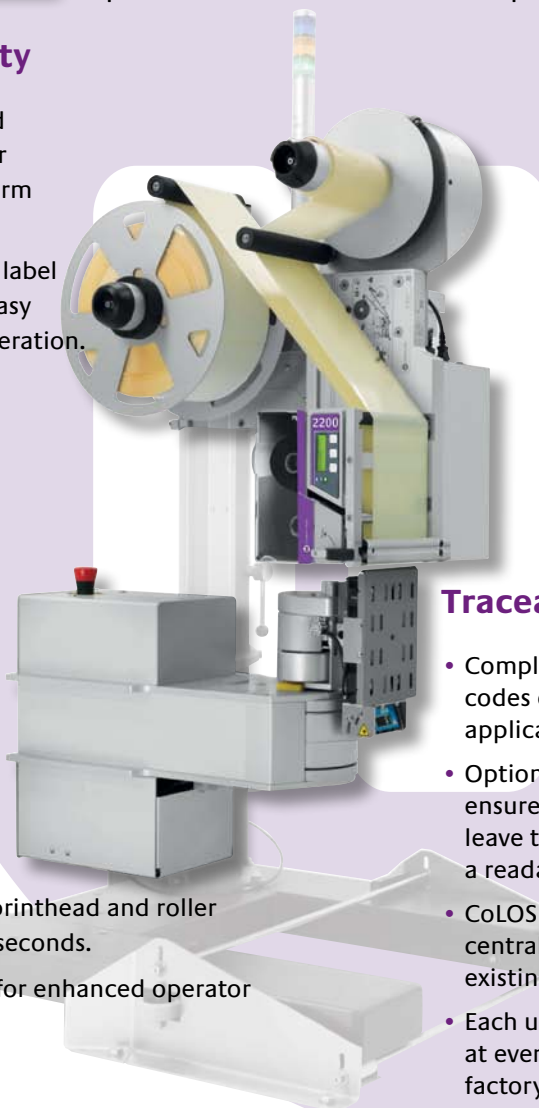
- Designed to be over 85% recyclable.
- Power consumption below 60 watts at maximum throughput.

High-performance printing

- 1 or 2-side pallet labeling at speeds up to 120 pallets per hour.
- Maximized productivity with proven, accurate adjacent side pallet labeling.
- Dual RISC processors, supported by a dedicated ultra fast co-processor, deliver efficient performance.
- Markem-Imaje labels and ribbons guarantee print quality and long printhead life.

Traceability

- Compliant ANSI grade A/B codes even at the highest application speed.
- Optional barcode scanner ensures that 100% of pallets leave the factory with a readable barcode.
- CoLOS software solutions ensure product data integrity, central data management and easy connection to existing enterprise database.
- Each unique pallet label can be identified and tracked at every step of its journey, from when it leaves the factory to its final destination.



markem·imaje

a **DOVER** company

2200 Pallet specifications ■ ■ ■

Print features ■ ■ ■

- Print methods: Thermal transfer or direct thermal
- Built-in real-time clock
- 10 individual programmable counters
- Print engines:
 - 2620: 168 mm, 200 dpi (8 dots per mm)
 - 2630: 162 mm, 300 dpi (12 dots per mm)
- Maximum print speed: 300 mm/s
- Swing arm for one and two adjacent side applications
- Label application time cycle:
 - Single linear movement: 7 s
 - Single side movement: 10 s
 - Two adjacent side movement: 20 s
- Fonts: 16 smooth scalable fonts available
- TrueType font downloadable
- Support for Unicode fonts
- Graphic features: BMP, WMF, PCX, PNG, ICO, GIF, TIFF, JPEG
- All major linear barcodes and 2D barcodes supported

Operations ■ ■ ■

- User interface with graphic display and machine status in 26 languages
- Control panel: start, pause, print
- Built-in safety feature: Automatic air shut-off when applicator hits obstacle
- Remote and machine emergency stop buttons
- Communication interface:
 - 2 x In via Opto, 5 x Out via relay, 24 VDC
 - High speed RS-232, 300 – 115 200 bps
 - Ethernet 10/100 (LPD, R Telnet, FTP, web server)
- Programmable re-apply sequence or fault after barcode failed read

Media specifications ■ ■ ■

- Media types: Die-cut self-adhesive labels
- Standard label size: DIN A5 148 x 210 mm
- Label stock outside wound as standard
- Maximum label width: 178 mm
- Maximum label roll: 350 mm, approximately 2,550 labels per roll
- Inner core: 76 mm
- Inside wound thermal transfer ribbon
- Ink ribbon length: 560 m
- Ribbon core: 25 mm

Other characteristics ■ ■ ■

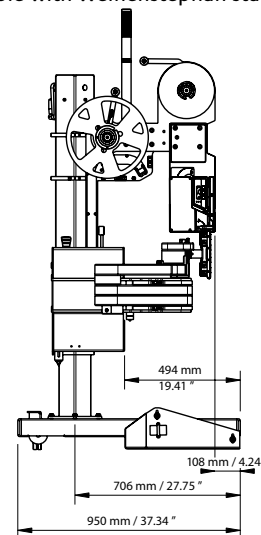
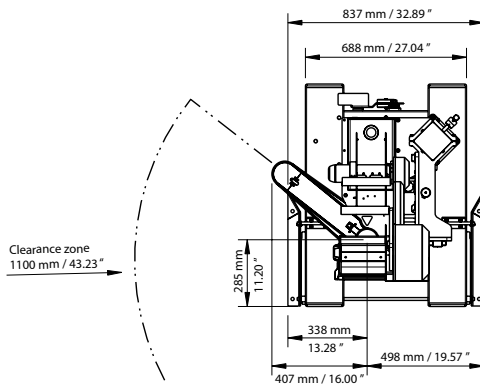
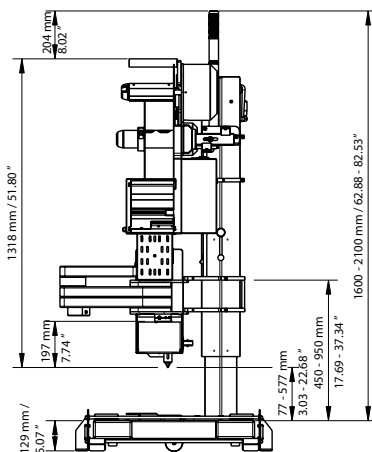
- Left- and right-applicator versions (front-side, backside)
- Humidity: 20 to 85% non-condensing
- Power requirements: 110/240 VAC; 50/60 Hz
- Air supply: 6 bars, dry and clean

Options and accessories ■ ■ ■

- Inside wound label kit
- Expanded memory SD card slot
- Scalable and international fonts
- Three-color-status beacon
- Barcode reader
- Floor stand and docking station

Software ■ ■ ■

- Compatible with CoLOS Create Professional and CoLOS Enterprise
- CoLOS Traceability software
- Compatible with Weihenstephan standard



Dimensions refer to right-handed model



To learn more, scan the code with your smartphone or visit www.markem-imaje.com



We reserve the right to amend the design and/or specifications of our products without notice.

150 Congress Street
Keene, NH 03431
United States of America
Tel: 800-258-5356
Fax: 603-357-1835

100 Chastain Center Blvd
Suite 165
Kennesaw, GA 30144
United States of America
Tel: 770-421-7700
Fax: 770-421-7702


markem·imaje
a  company